



Safety Plugs

Provide electrical lock-outs during machine maintenance
 Color-coded configurations to assist in safety lock out
 Fit standard FS or FD boxes

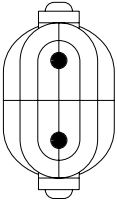
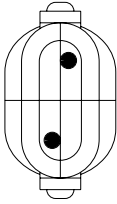
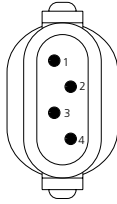
	2P	2P	4P
MALE FACE VIEW			
COLOR	yellow	red	orange*
VOLTAGE	600V AC/DC	600V AC/DC	600V AC/DC
CURRENT	25A	25A	25A

	FIG	MALE SHORTING PLUGS		FIG	
SHORTING PLUGS W/ 1' CHAIN	1	22803	22904	2	43302
SHORTING PLUGS W/ 2' CHAIN	1	22804	22905	2	43303
SHORTING PLUGS W/ 3' CHAIN	1	22805	22906	2	43304
	FIG	FEMALE RECEPTACLES		FIG	
ANGLE RECEPTACLES	5	22801	22903	6	43301
CAST RECEPTACLE ASSEMBLY**	3	22806	22902	4	43305

SUB-ASSEMBLIES AND MISCELLANEOUS COMPONENTS

INSERT FOR CAST ASSEMBLY	22802	22901	—
INSERT WITH MOUNTING SHELL	22807	22907	—

*Available in red as option

** Includes insert, mounting shell and wiring box

Specifications

MECHANICAL (SHORTING PLUG)

BODY: NITRILE/PVC COMPOUND
 CONTACT: BRASS, SOLID
 CHAIN YOKE: ZINC-PLATED STEEL

MECHANICAL (ANGLE RECEPTACLE)

HOUSING & BODY: NITRILE/PVC COMPOUND
 CONTACT: BRASS

MECHANICAL (CAST RECEPTACLE)

HOUSING: ALUMINUM
 CONTACT: BRASS
 INSERT: NITRILE/PVC
 GASKET: NEOPRENE

ELECTRICAL

VOLTAGE RATING: 600V AC/DC
 AMPERAGE: 25A

ENVIRONMENTAL

AMBIENT OPERATING TEMP: -4° TO 194° F (-20° TO 90° C)

CERTIFICATIONS

UL: UL RECOGNIZED, FILE NO E46237
 CSA: CSA CERTIFIED, FILE NO LR6837

RECEPTACLES

SHORTING PLUG - 2 POLE

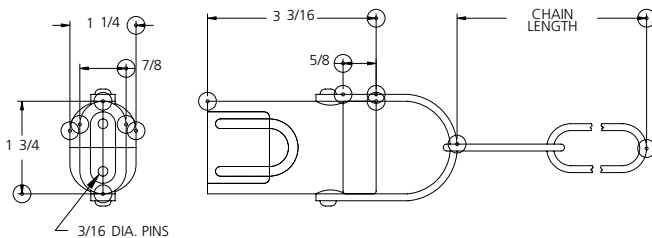


FIG 1

SHORTING PLUG - 4 POLE

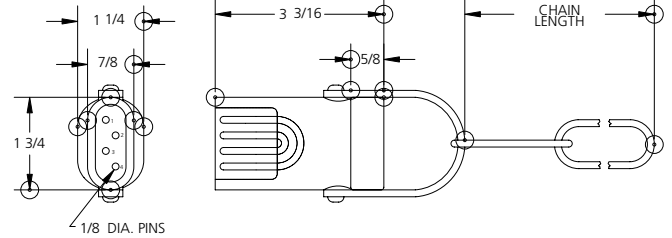


FIG 2

CAST RECEPTACLE ASSEMBLY - 2 POLE

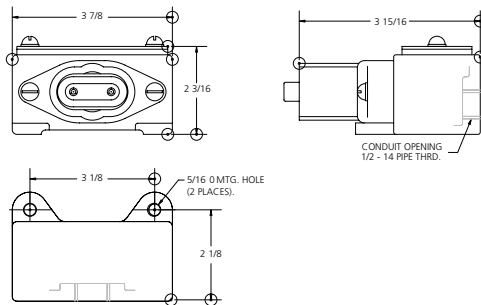


FIG 3

CAST RECEPTACLE ASSEMBLY - 4 POLE

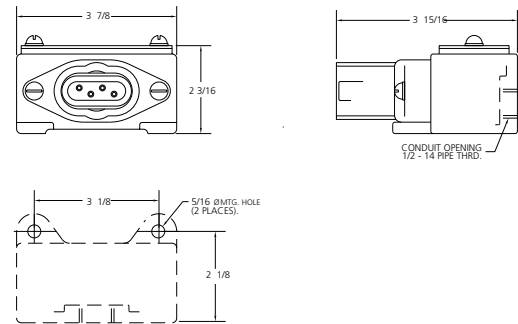


FIG 4

ANGLE RECEPTACLE ASSEMBLY - 2 POLE

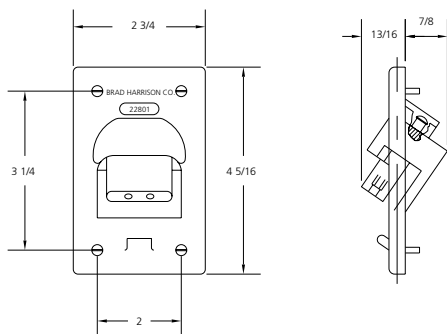


FIG 5

ANGLE RECEPTACLE ASSEMBLY - 4 POLE

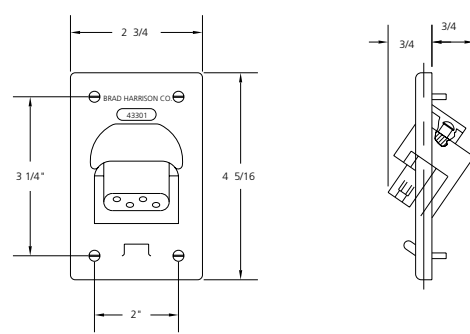


FIG 6