



Top Mount, Connector With Integral Home Run Connector

Simplifies wiring installation – integral home run connector
 Allows for top or side entry of threaded 3P male cordsets connecting to ports
 For use with 3-wire PNP sensors or 24V DC actuators

	4 Port SCHEMATIC, FIG 1	6 Port SCHEMATIC, FIG 2	8 Port SCHEMATIC, FIG 3	10 Port SCHEMATIC, FIG 4
FUNCTIONAL WIRING DIAGRAM				
M16 HOME RUN CONNECTOR PINOUTS	a- V- c- port #2 load l- V+ m- V- n- port #3 load o- port #4 load r- port #1 load u- V+	a- V- c- port #2 load e- port #5 load l- V+ m- V- n- port #3 load o- port #4 load p- port #6 load r- port #1 load u- V+	a- V- c- port #2 load e- port #5 load g- port #7 load l- V+ m- V- n- port #3 load o- port #4 load p- port #6 load r- port #1 load s- port #8 load u- V+	a- V- c- port #2 load e- port #5 load g- port #7 load j- port #9 load l- V+ m- V- n- port #3 load o- port #4 load p- port #6 load r- port #1 load s- port #8 load t- port #10 load u- V+
HOME RUN CONNECTOR MALE FACE VIEW				

MPIS 1 SIGNAL/PORT WITH M16 X 0.75 MALE HOME RUN CONNECTOR, TOP ENTRY							
FIG		FIG		FIG		FIG	
5	BNY401P-FBC	6	BNY601P-FBC	7	BNY801P-FBC	8	BNYA01P-FBC
MATING FEMALE 5 METER HOME RUN CABLES, STRAIGHT CONNECTIONS PUR CABLE JACKET							
9	L04300M78M050	10	L04200M78M050	11	L04100M78M050	12	L04A00M78M050

* Use 3P male M8 cordset or female-male extensions with threaded coupling pages 170-175 to connect to these MPIS ports

CATALOG OPTIONS

Use the following chart to modify the female home run cable's specifications

L04300M78M050

NO. OF PORTS	CONNECTOR TYPE	CABLE LENGTH
4 PORTS 3	STRAIGHT-IN 0	5 METERS 050
6 PORTS 2	RIGHT ANGLE 1	10 METERS 100
8 PORTS 1		
10 PORTS A		

Specifications



MECHANICAL
 INSERT: THERMOPLASTIC POLYESTER
 HOUSING: PBT
 RECEPTACLE HOUSING: NICKEL-PLATED BRASS
 ID LABEL: ABS
 O-RING: VITON

HOME RUN CONNECTOR CABLING

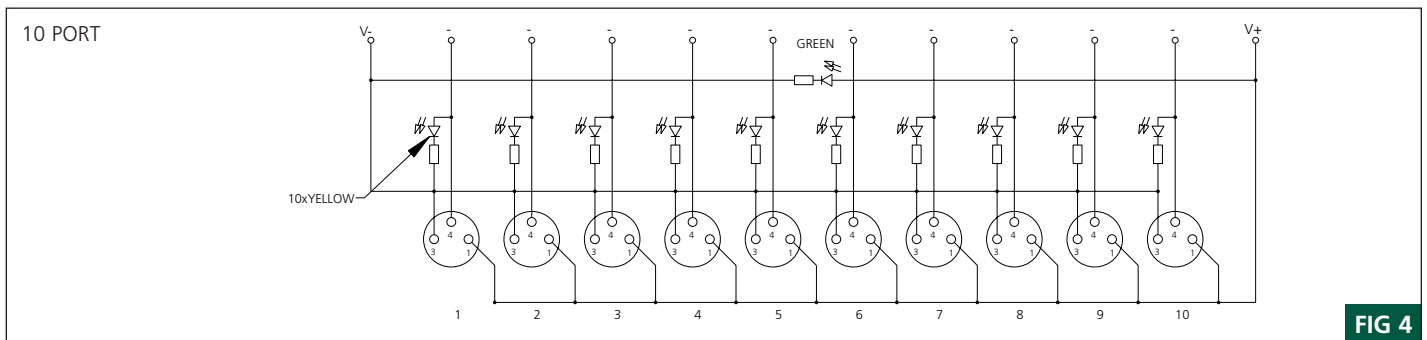
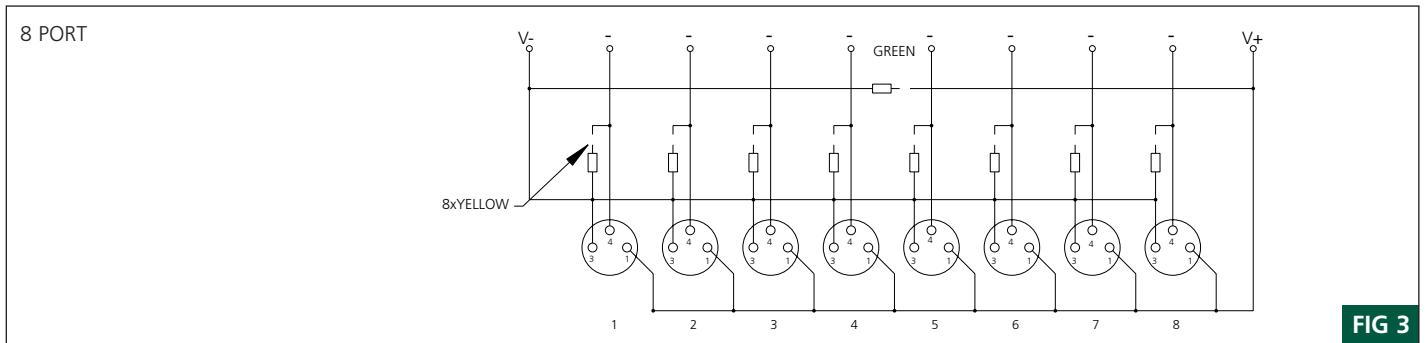
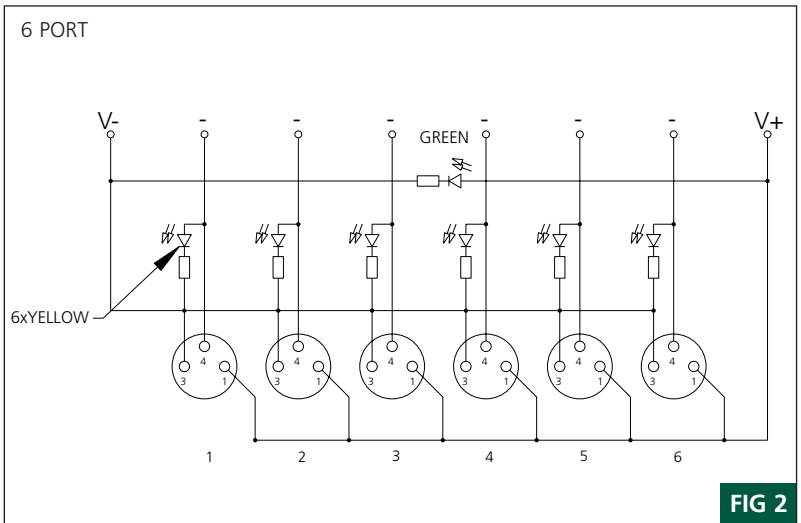
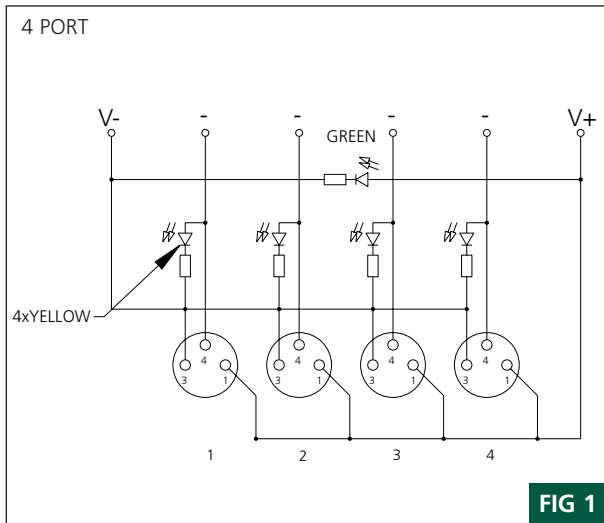
M16 14 POLE CONNECTOR, METAL SHELL
 BLACK PUR/PVC COMPOSITE, BLACK PUR

	4 PORT	6 PORT	8 PORT	10 PORT
V(+) AND V(-):	2 X 0.75 mm ²	2 x 0.75 mm ²	2 x 0.75 mm ²	2 x 0.75 mm ²
CONTROL:	4 X 0.34 mm ²	6 x 0.34 mm ²	8 x 0.34 mm ²	OUTER
STRANDING				
V(+) AND V(-):	95 X 0.1 mm	85 x 0.1 mm	95 x 0.1 mm	95 x 0.1 mm
CONTROL:	42 X 0.1 mm	42 x 0.1 mm	42 x 0.1 mm	42 x 0.1 mm
DIAMETER:	PUR: 0.28"(7mm)			

ELECTRICAL
 VOLTAGE RATING: 10-30VDC
 AMPERAGE: 2A MAX/PORT; 6A TOTAL PER MPIS UNIT
 INDICATING LIGHTS: GREEN LED-POWER; YELLOW LED-FUNCTION
 AVERAGE LED LIFE: 100,000 HOURS

ENVIRONMENTAL
 PROTECTION: IP68
 AMBIENT OPERATING TEMPERATURE: -13° TO 194° F (-25° TO 90° C)

SCHEMATICS



Top Mount, Connector With Integral Home Run Connector

MPIS MECHANICALS

4 PORT

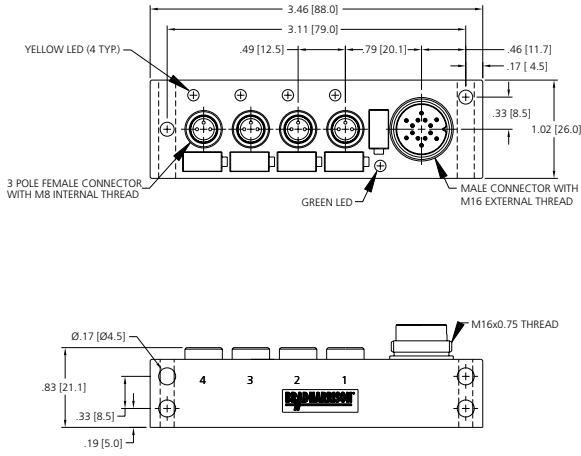


FIG 5

6 PORT

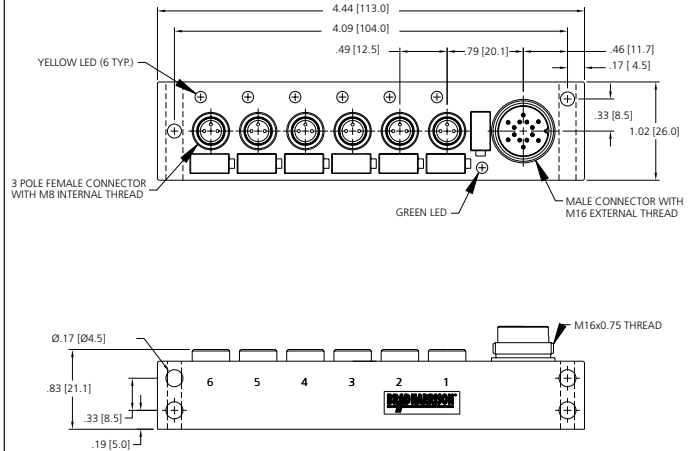


FIG 6

8 PORT

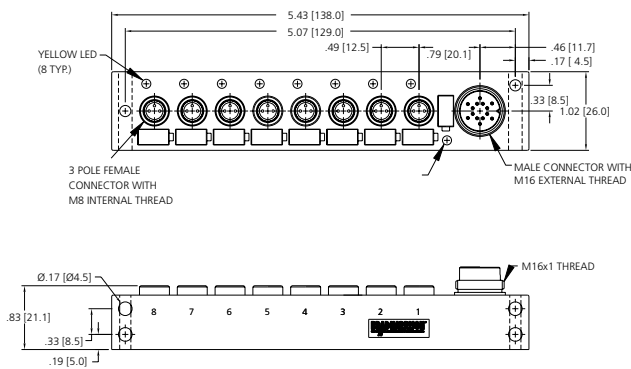


FIG 7

10 PORT

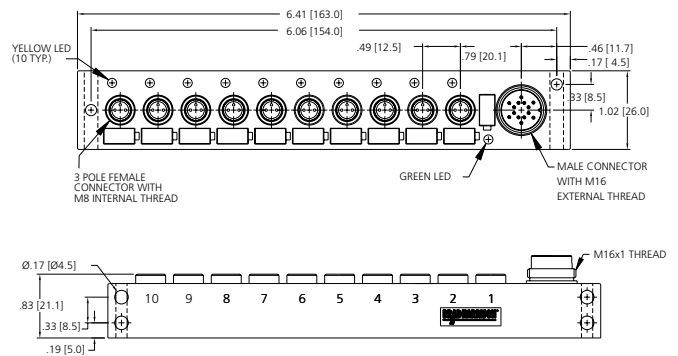


FIG 8

* Housing height 0.71" (18.0mm), 1.07" (27.2mm) from bottom of Multi-port to top of home run connector

Top Mount, Connector With Integral Home Run Connector

CONTROL CABLE MECHANICALS

4 PORT

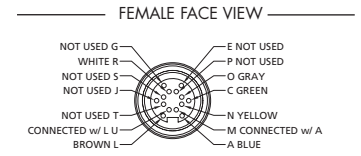
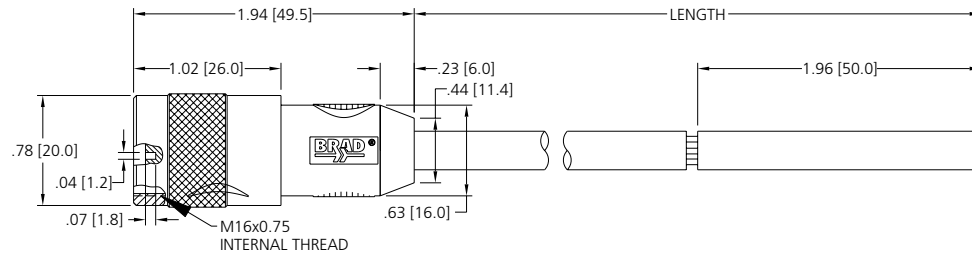


FIG 9

6 PORT

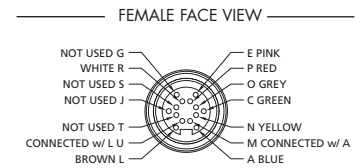
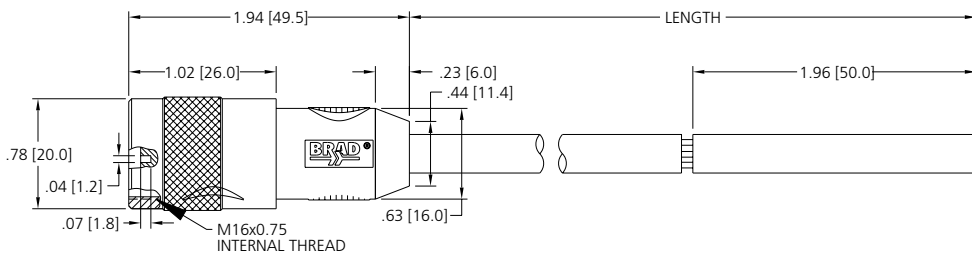


FIG 10

8 PORT

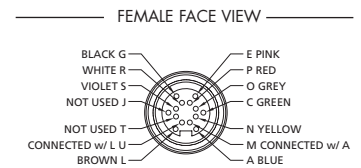
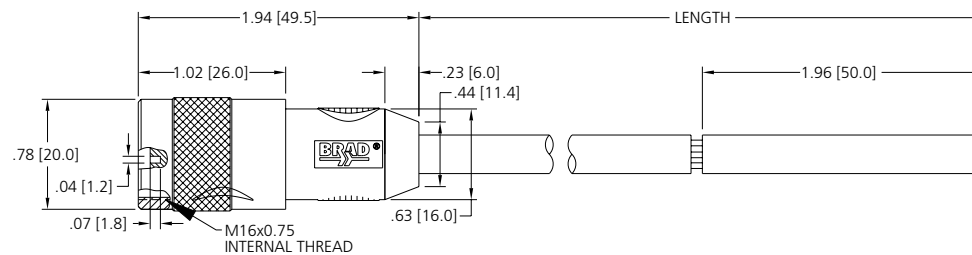


FIG 11

10 PORT

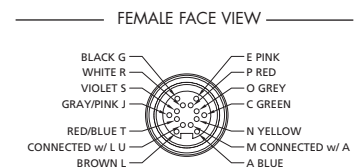
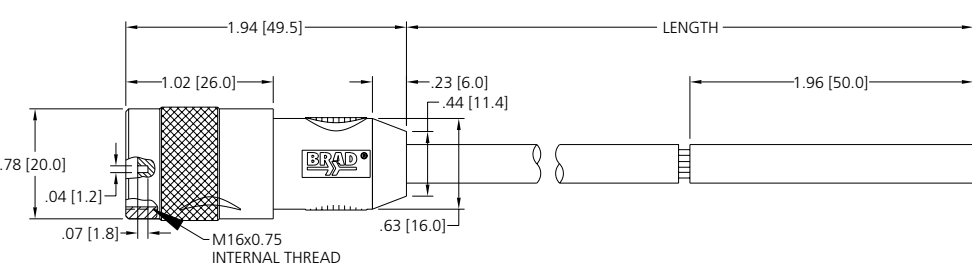


FIG 12

Accessories - Labels and (2) closure caps provided with each Multi-port
* Other Accessories - see page 298