



Top Mount with End Cable Entry Molded Home Run Cable

Simplifies wiring installation – integrated molded PVC or PUR home run cable
Allows for top or side entry of threaded 3P male cordsets connecting to ports
For use with 3-wire PNP sensors or 24V DC actuators

	4 Port SCHEMATIC, FIG 1	6 Port SCHEMATIC, FIG 2	8 Port SCHEMATIC, FIG 3	10 Port SCHEMATIC, FIG 4
FUNCTIONAL WIRING DIAGRAM				
HOME RUN CABLE COLOR CODE	blue- V- brown- V+ white- port #1 load green- port #2 load yellow- port #3 load gray- port #4 load	blue- V- brown- V+ white- port #1 load green- port #2 load yellow- port #3 load gray- port #4 load pink- port #5 load red- port #6 load	blue-V- brown- V+ white- port #1 load green- port #2 load yellow- port #3 load gray- port #4 load pink- port #5 load red- port #6 load black- port #7 load violet- port #8 load	blue- V- brown- V+ white- port #1 load green- port #2 load yellow- port #3 load gray- port #4 load pink- port #5 load red- port #6 load black- port #7 load violet- port #8 load gray/pink- port #9 load red/blue- port #10 load

MPIS, 1 SIGNAL PORT WITH MOLDED HOME RUN CABLE, TOP ENTRY								
	FIG		FIG		FIG		FIG	
PUR/PVC HOME RUN CABLE, 5M	5	BEY401P-FBM-05	6	BEY601P-FBM-05	7	BEY801P-FBM-05	8	BEYA01P-FBM-05
PUR/PVC HOME RUN CABLE, 10M	5	BEY401P-FBM-10	6	BEY601P-FBM-10	7	BEY801P-FBM-10	8	BEYA01P-FBM-10
PUR HOME RUN CABLE, 5M	5	BEY401P-FBP-05	6	BEY601P-FBP-05	7	BEY801P-FBP-05	8	BEYA01P-FBP-05

* For top entry home run cable, see page 306

* Use 3P male M8 cordsets or female/male extensions pages 170-175 to connect to these MPIS

CATALOG OPTIONS

Use the following chart to modify your MPIS unit's specifications

BEY401P-FBM-05

NO. OF PORTS

4 PORTS	4
6 PORTS	6
8 PORTS	8
10 PORTS	A

HOME RUN CABLE MATERIAL

PUR/PVC	M
PUR	P

CABLE LENGTH

5 METER	05
10 METER	10

Specifications



MECHANICAL
 INSERT: THERMOPLASTIC POLYESTER
 HOUSING: PBT
 RECEPTACLE HOUSING: NICKEL-PLATED BRASS
 ID LABEL: ABS
 O-RING: VITON

HOME RUN CABLING
 CABLE JACKET: BLACK PUR/PVC COMPOSITE, BLACK PUR

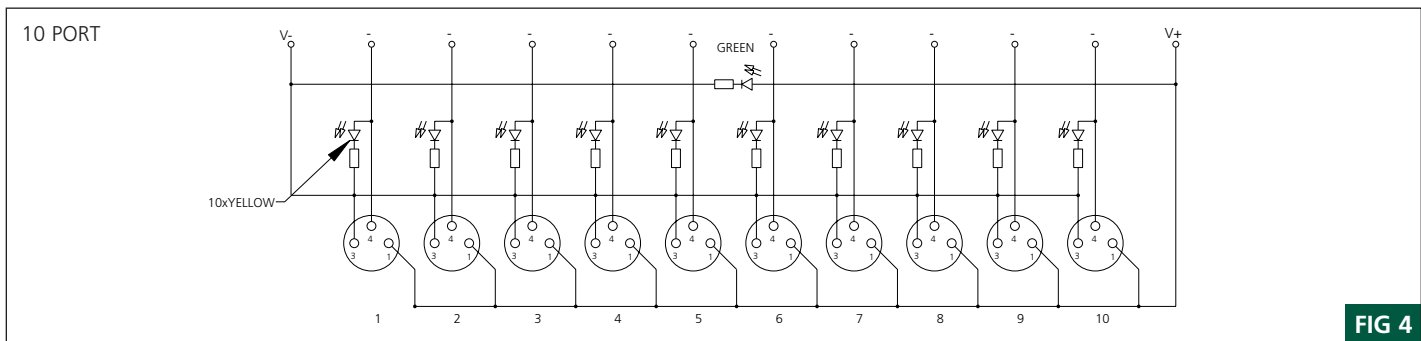
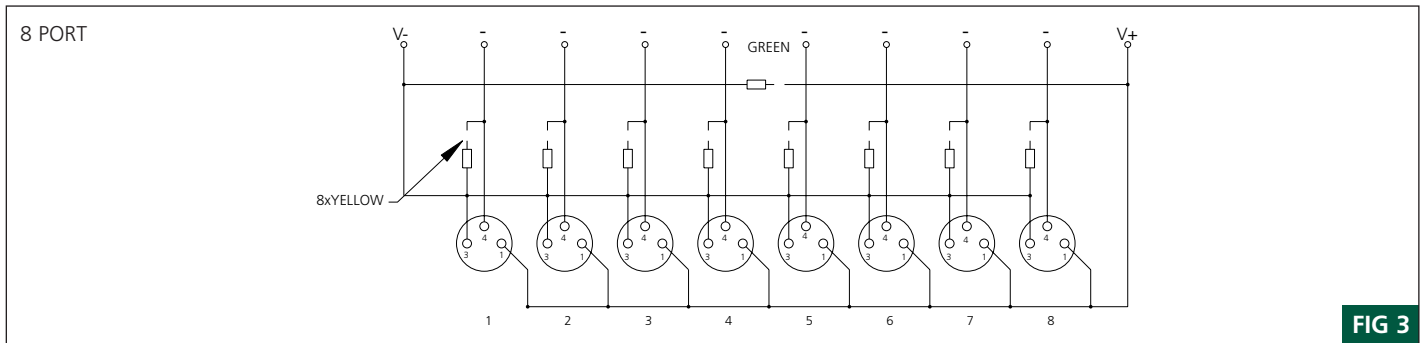
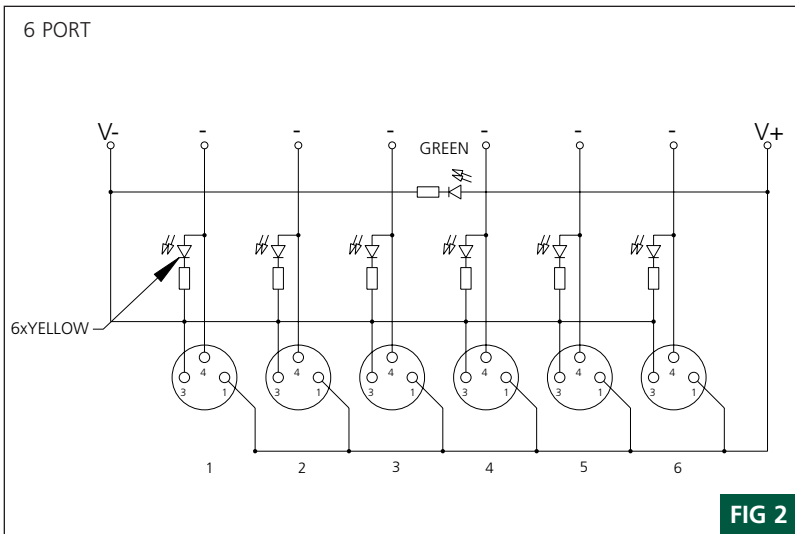
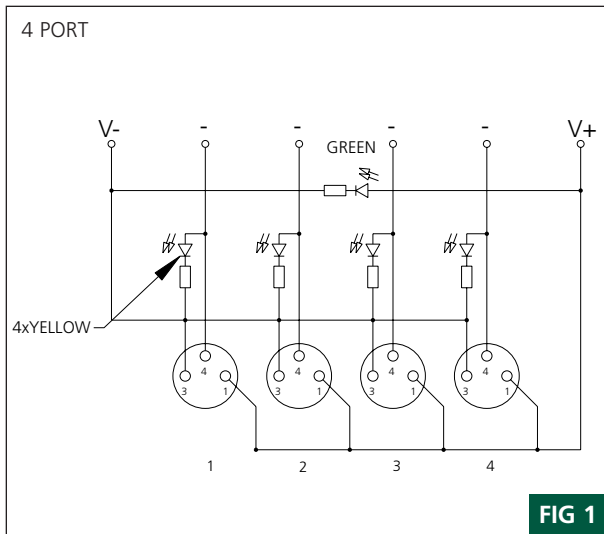
	4 PORT	6 PORT	8 PORT	10 PORT
V(+) AND V(-):	2 X 0.75 mm ²	2 x 0.75 mm ²	2 x 0.75 mm ²	2 x 0.75 mm ²
CONTROL:	4 X 0.34 mm ²	6 x 0.34 mm ²	8 x 0.34 mm ²	10 X 0.34 mm ²

STRANDING
 V(+) AND V(-): 95 X 0.1 mm 85 x 0.1 mm 95 x 0.1 mm 95 x 0.1 mm
 CONTROL: 42 X 0.1 mm 42 x 0.1 mm 42 x 0.1 mm 42 x 0.1 mm
 DIAMETER: PUR: 0.28" (7mm)

ELECTRICAL
 VOLTAGE RATING: 10-30V DC
 AMPERAGE: 2A MAX/PORT; 6A TOTAL PER MPIS UNIT
 INDICATING LIGHTS: GREEN LED-POWER; YELLOW LED-FUNCTION
 AVERAGE LED LIFE: 100,000 HOURS

ENVIRONMENTAL
 PROTECTION: IP68
 AMBIENT OPERATING TEMPERATURE: -13° TO 194° F (-25° TO 90° C)

SCHEMATICS



Top Mount with End Cable Entry Molded Home Run Cable

MECHANICALS

4 PORT

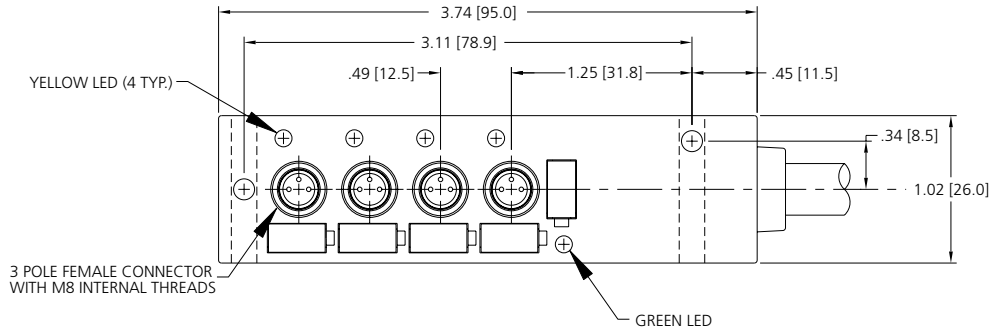


FIG 5

6 PORT

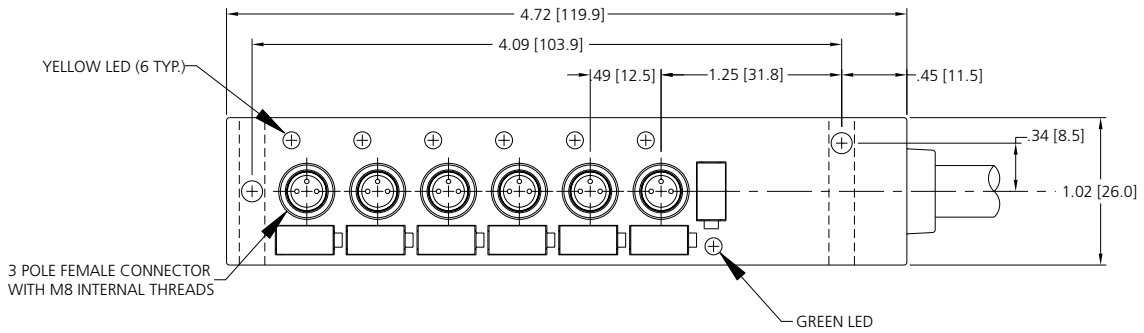
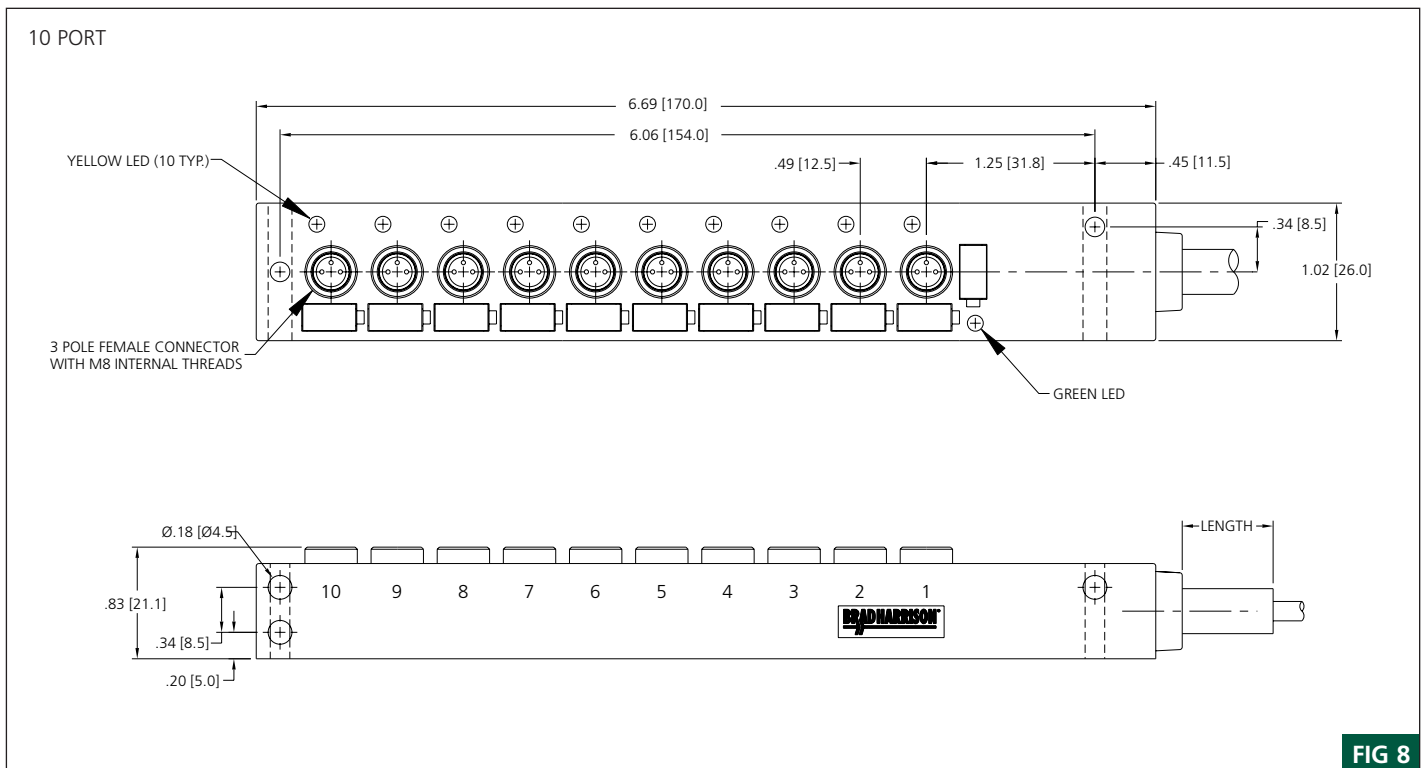
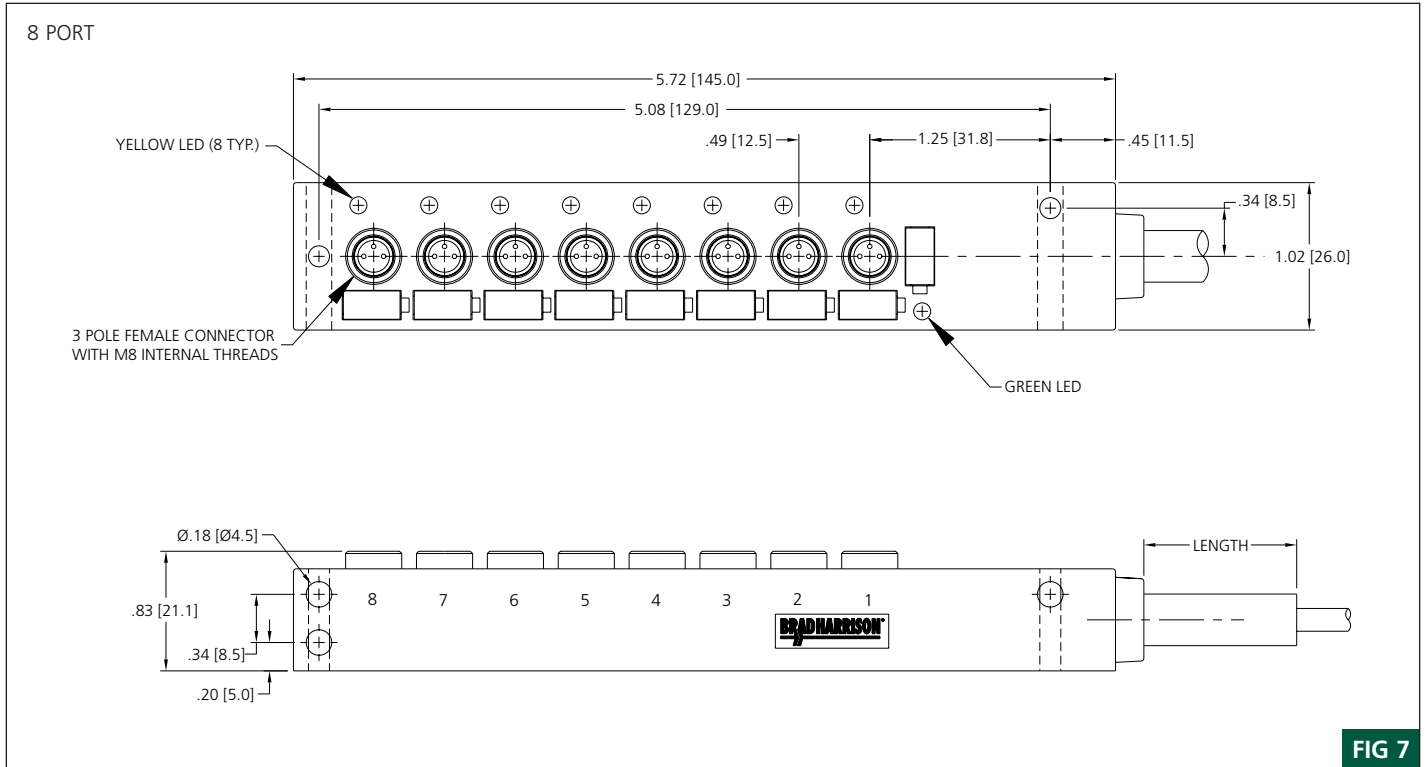


FIG 6

Top Mount with End Cable Entry

Molded Home Run Cable

MECHANICALS



Accessories - Labels and (2) closure caps provided with each Multi-port
 * Other Accessories - see page 298
 * Housing height 0.71" (18.0mm)