



Side Mount 5P Home Run Cable

Simplifies wiring installation – integrated home run cable
 4 Port configuration
 For use with 5P male cordsets

	5P for Solenoids SCHEMATIC, FIG 1	5 Pole SCHEMATIC, FIG 2
FUNCTIONAL WIRING DIAGRAM		
HOME RUN CABLE COLOR CODES	white- common (L1) green- gnd orange- solenoid valve #1 blue- solenoid valve #2 white w/ blk trace- solenoid valve #3 red w/ blk trace- solenoid valve #4 green w/ blk trace- solenoid valve #5 orange w/ blk trace- solenoid valve #6 red- solenoid valve #7 black- solenoid valve #8	white- common (L1) green- gnd orange- port #1 load blue- port #2 load white w/ blk trace- port #3 load red w/ blk trace- port #4 load green w/ blk trace- port #5 load orange w/ blk trace- port #6 load red- port #7 load black- port #8 load

MPIS 3P SERIES WIRING WITH 20 FEET OF PVC HOME RUN CABLE #16 AWG			
	FIG		FIG
	3	413P406-20	3
			413P46-20

* Use 5P Mini-Change™ male cordsets page 42 or female-male cordsets page 44 to connect to the MPIS ports

CATALOG OPTIONS

Use the following chart to modify your part's specifications

413P406-20

CABLE LENGTH

10'	10
20'	20

Specifications



MECHANICAL

INSERT: PVC
 HOUSING: PET (POLYESTER)
 RECEPTACLE HOUSING: ZINC DIE CAST WITH EPOXY COAT
 ID LABEL: ABS

HOME RUN CABLE

YELLOW WITH PVC JACKET, #16/10 AWG CONDUCTORS WITH PVC INSULATION OVER, 65 X #34 COPPER STRANDING, UL LISTED ST00W 105°C CSA CERTIFIED ST 105°C, 600 V 0.66" (16.8mm)

OUTSIDE DIAMETER:

ELECTRICAL

VOLTAGE RATING: 600V AC/DC
 AMPERAGE: 7A TOTAL PER MPIS UNIT

ENVIRONMENTAL

PROTECTION: IP68, NEMA 6P
 AMBIENT OPERATING TEMPERATURE: -13° TO 194° F (-25° TO 90° C)

CERTIFICATIONS
 UL: UL RECOGNIZED, FILE NO. E46237
 CSA: CSA CERTIFIED, FILE NO. LR6837

SCHEMATICS

5P FOR SOLENOIDS

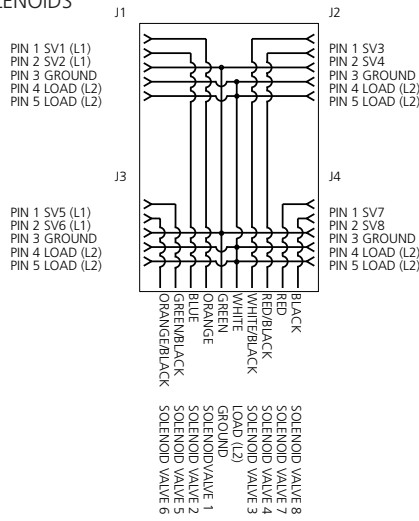


FIG 1

5 POLE

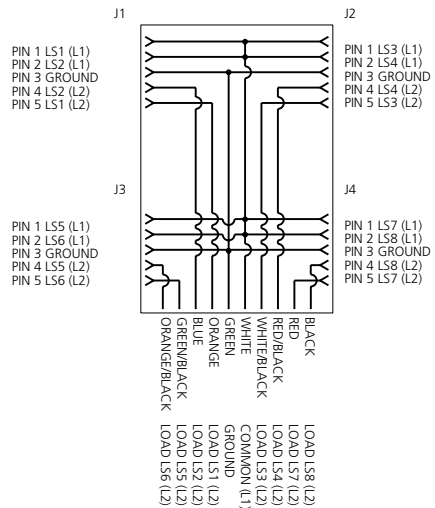


FIG 2

MECHANICALS

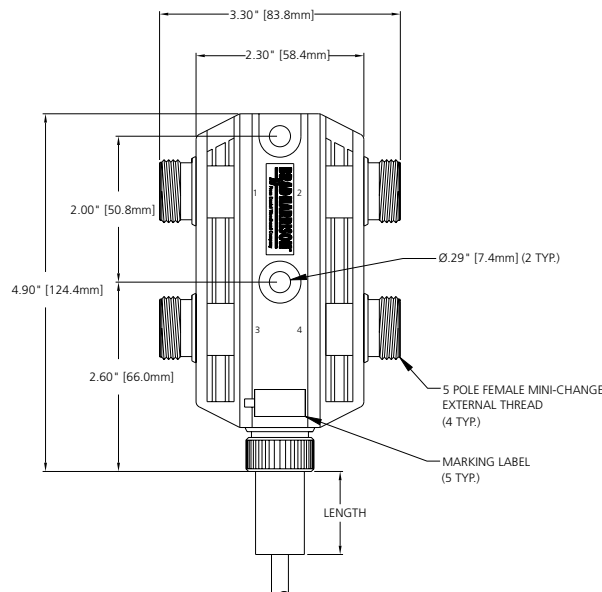


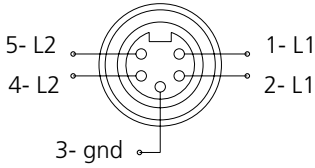
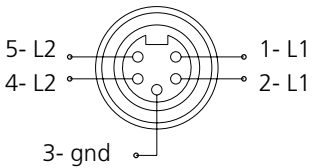
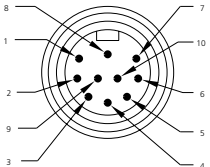
FIG 3

Standard Accessories - marking labels and (2) closure caps for each MPIS
 * For optional accessories - see page 298



Side Mount 5P Home Run Connector

Connectorized home run cable connection for maximum flexibility
4 port configuration
For use with 5P Mini-Change male cordsets

	5P for Solenoids SCHEMATIC, FIG 1	5 Pole SCHEMATIC, FIG 2
FUNCTIONAL WIRING DIAGRAM		
HOME RUN CONNECTOR PINOUTS	1- solenoid valve #1 2- solenoid valve #2 3- solenoid valve #3 4- solenoid valve #4 5- solenoid valve #5 6- solenoid valve #6 7- solenoid valve #7 8- gnd 9- solenoid valve #8 10- load (L2)	1- port #1 load 2- port #2 load 3- port #3 load 4- port #4 load 5- port #5 load 6- port #6 load 7- port #7 load 8- gnd 9- port #8 load 10- common (L1)
HOME RUN CONNECTOR MALE FACE VIEW		

MPIS 3P SERIES WIRING WITH 10P MINI-CHANGE CONNECTOR			
	FIG		FIG
MPIS	3	413P401	3
			413P411

*Use 5P Male Mini-Change Cordsets Page 42 or female-male cordsets page 44 to connect to the MPIS Ports

FEMALE SINGLE - ENDED HOME RUN CABLE -PVC JACKET AND #16 AWG CONDUCTORS			
	FIG		FIG
HOME RUN CABLE 6'	4	301000A01F060	4
HOME RUN CABLE 12'	4	301000A01F120	4
HOME RUN CABLE 20'	4	301000A01F200	4
FEMALE/MALE DOUBLE - ENDED HOME RUN CABLE EXTENSION -PVC JACKET AND #16 AWG CONDUCTORS			
HOME RUN EXTENSION 6'	5	331020A01F060	5
HOME RUN EXTENSION 12'	5	331020A01F120	5
HOME RUN EXTENSION 20'	5	331020A01F200	5
FEMALE RECEPTACLE WITH #16 AWG PVC LEADS 12" LONG TO ACCEPT HOME RUN CABLE EXTENSION			
FEMALE RECEPTACLE	6	3R1004A20A120	6

Specifications



MECHANICAL
 INSERT: PVC
 HOUSING: PET (POLYESTER)
 RECEPTACLE HOUSING: ZINC DIE CAST WITH EPOXY COAT
 ID LABEL: ABS
HOME RUN CONNECTOR
 YELLOW CABLE WITH PVC JACKET, #16/10 AWG CONDUCTORS WITH PVC INSULATION OVER 65 X #34 COPPER STRANDING, UL LISTED STOOV 105°C CSA CERTIFIED ST 105°C, 600 V
 OUTSIDE DIAMETER: 0.66" (16.8mm)
ELECTRICAL
 VOLTAGE RATING: 600V AC/DC
 AMPERAGE: 7A TOTAL PER MPIS UNIT
ENVIRONMENTAL
 PROTECTION: IP68, NEMA 6P
 AMBIENT OPERATING TEMPERATURE: -13° TO 194° F (-25° TO 90° C)
CERTIFICATIONS
 UL: UL RECOGNIZED, FILE NO. E46237
 CSA: CSA CERTIFIED, FILE NO. LR6837

SCHEMATICS

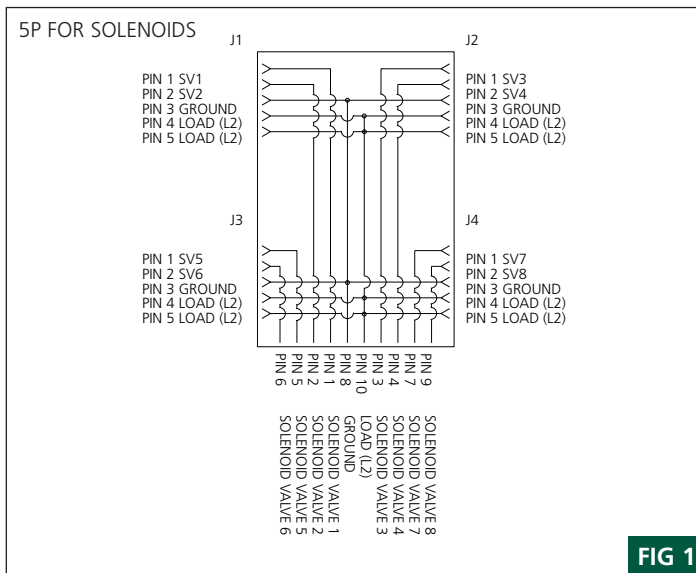


FIG 1

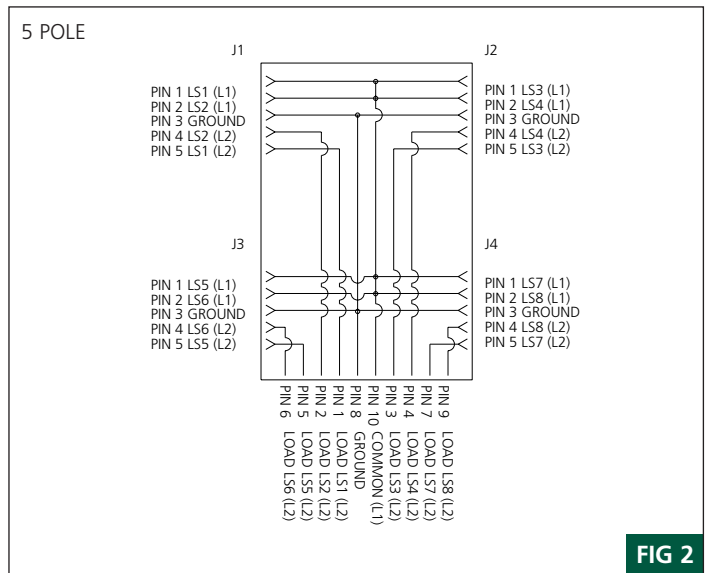


FIG 2

MECHANICALS

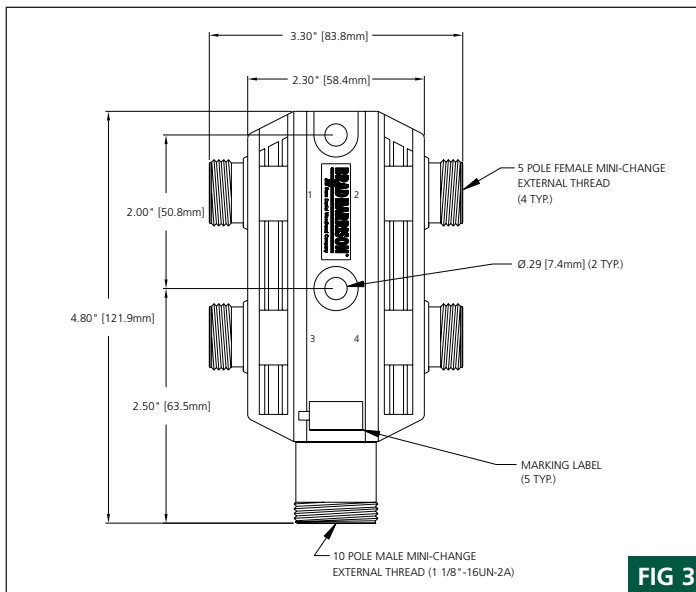


FIG 3

Standard Accessories - marking labels and (2) closure caps for each MPIS
 * For optional accessories - see page 298
 * Refer to Mini-Change section for complete homerun cable/receptacle specifications

HOME RUN CABLES

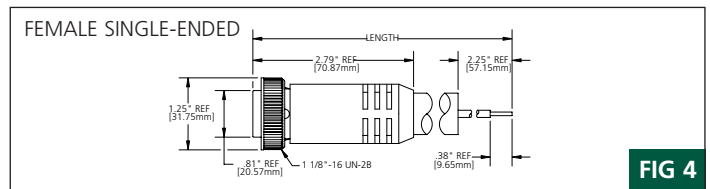


FIG 4

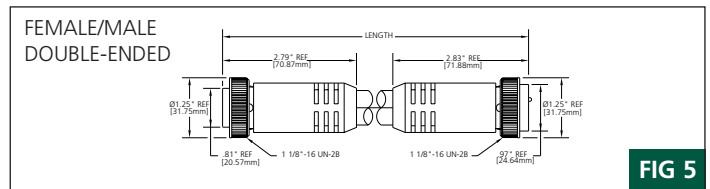


FIG 5

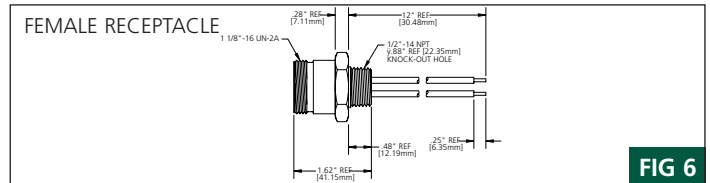


FIG 6