



# Side Mount 3P Series Wiring, Home Run Connector

Connectorized home run cable connection for maximum flexibility  
Series-wired for AND or NOR logic wiring of 3P male cordsets  
Flexibility with 4, 6 and 8 port configurations

	4 Port SCHEMATIC, FIG 1	6 Port SCHEMATIC, FIG 2	8 Port SCHEMATIC, FIG 3
FUNCTIONAL WIRING DIAGRAM			
HOME RUN CONNECTOR PINOUTS		1- gnd 2- load 3- common	
HOME RUN CONNECTOR FACE VIEW			

MPIS 3P SERIES WIRING WITH HOME RUN CONNECTORS						
	FIG		FIG		FIG	
MPIS	4	409P403	5	409P603	6	409P803

\* Use 3P male cordsets page 42 or female-male cordsets page 44 to connect to the MPIS ports  
\* For unused input ports use jumper plugs P/N 40936 found on page 298

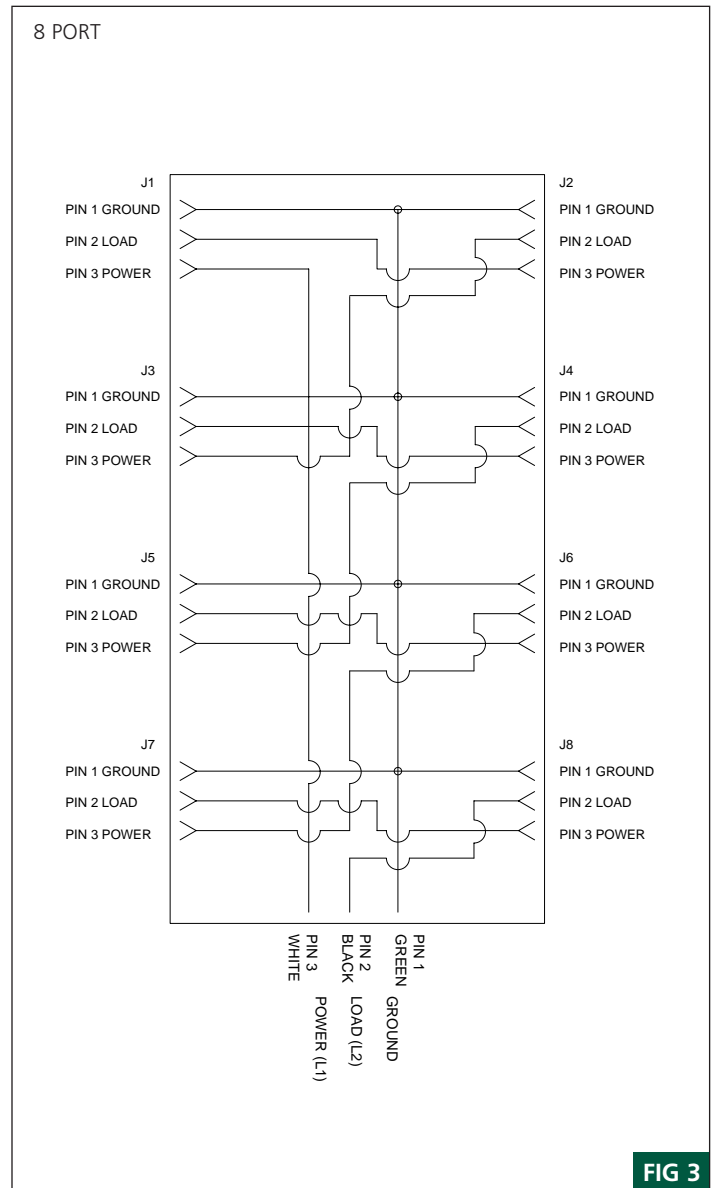
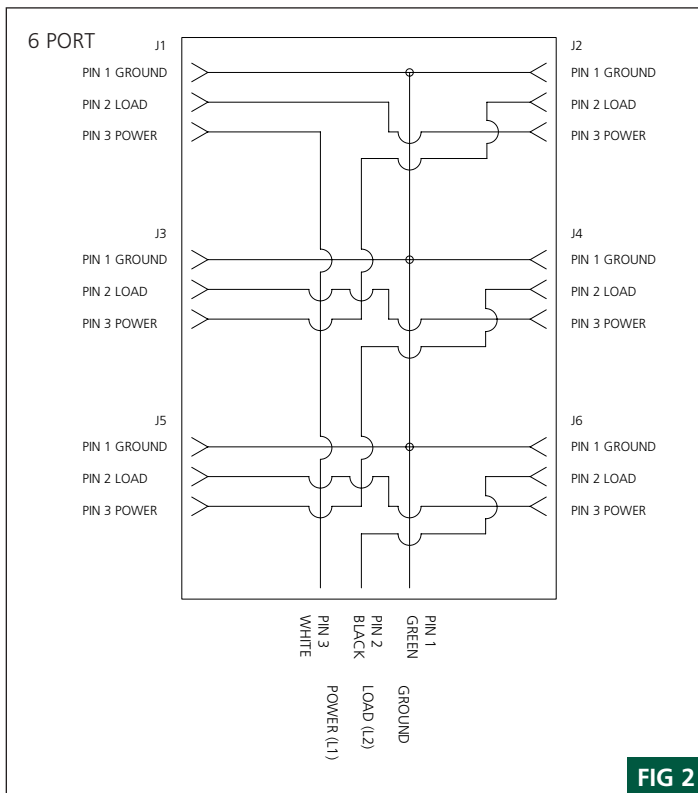
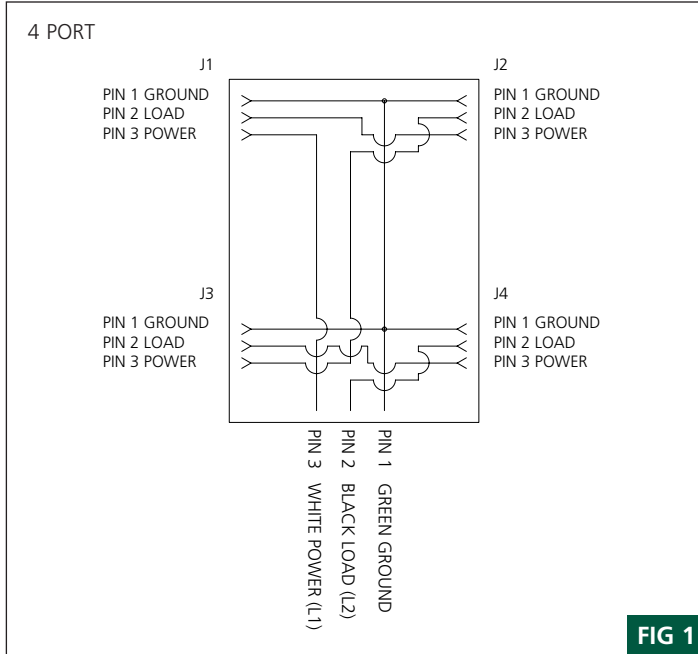
FEMALE SINGLE-ENDED HOME RUN CABLE -PVC JACKET AND #16 AWG CONDUCTORS						
	FIG		FIG		FIG	
HOME RUN CABLE 6'	7	103000A01F060	7	103000A01F060	7	103000A01F060
HOME RUN CABLE 12'	7	103000A01F120	7	103000A01F120	7	103000A01F120
HOME RUN CABLE 20'	7	103000A01F200	7	103000A01F200	7	103000A01F200
FEMALE/MALE DOUBLE-ENDED HOME RUN CABLE -PVC JACKET AND #16 AWG CONDUCTORS						
HOME RUN EXTENSION 6'	8	113020A01F060	8	113020A01F060	8	113020A01F060
HOME RUN EXTENSION 12'	8	113020A01F120	8	113020A01F120	8	113020A01F120
HOME RUN EXTENSION 20'	8	113020A01F200	8	113020A01F200	8	113020A01F200
FEMALE RECEPTACLE WITH #16 PVC LEADS 12" LONG TO ACCEPT HOME RUN CABLE EXTENSION						
FEMALE RECEPTACLE	9	1R3004A20A120	9	1R3004A20A120	9	1R3004A20A120

# Specifications



**MECHANICAL**  
 INSERT: PVC  
 HOUSING: PET (POLYESTER)  
 RECEPTACLE HOUSING: ZINC DIE CAST WITH BLACK EPOXY COAT  
 ID LABEL MATERIAL: ABS  
**HOME RUN CONNECTOR**  
 YELLOW, PVC CABLE JACKET, #16/3 AWG AND PVC CONDUCTOR CABLING INSULATION OVER 65 X #34 COPPER STRANDING, UL LISTED STOOV 105°C, CSA CERTIFIED 105°C, 600 V  
 OUTSIDE DIAMETER: 0.41" (10.4mm)  
**ELECTRICAL**  
 VOLTAGE RATING: 600V AC/DC  
 AMPERAGE: 7A TOTAL PER MPIS UNIT  
 ENVIRONMENTAL PROTECTION: IP68, NEMA 6P  
 AMBIENT OPERATING TEMPERATURE: 32°F TO 140°F (0° C TO 60°C)  
**CERTIFICATIONS**  
 UL: UL RECOGNIZED, FILE NO. E46237  
 CSA: CSA CERTIFIED, FILE NO. LR6837

## SCHEMATICS



## MECHANICALS

4 PORT

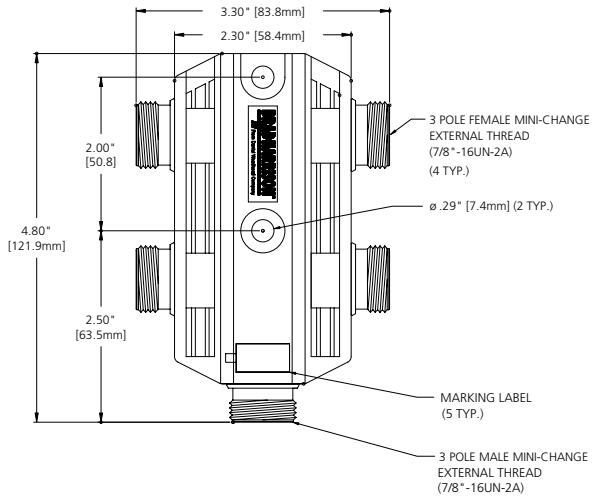


FIG 4

6 PORT

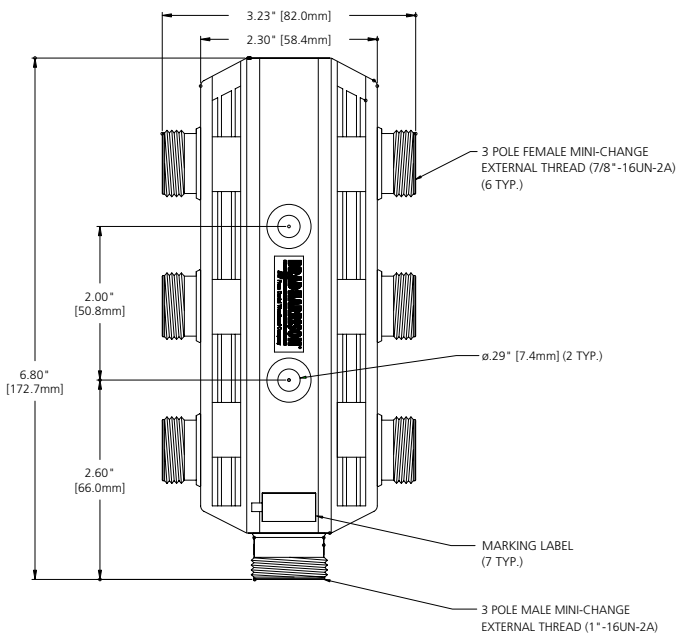


FIG 5

8 PORT

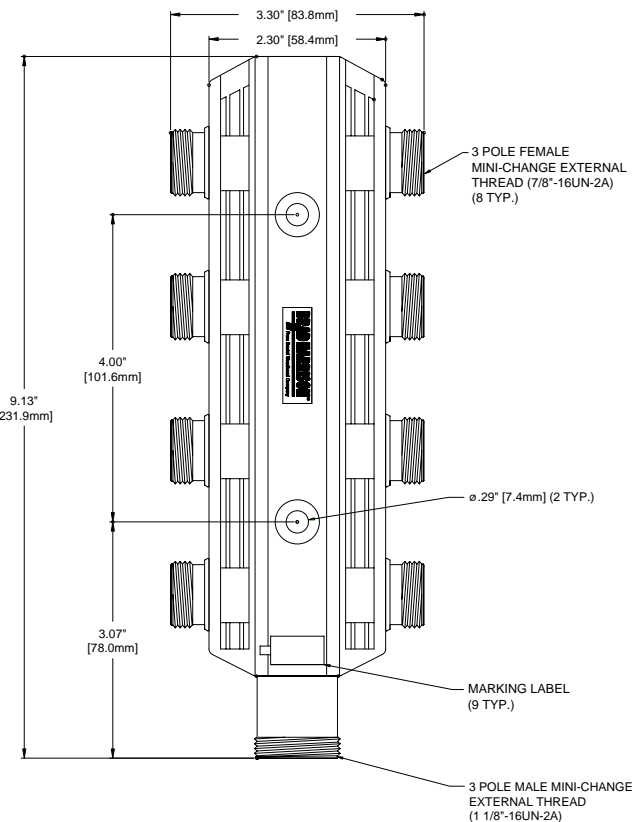


FIG 6

# Side Mount 3P Series Wiring, Home Run Connector

## HOME RUN CABLES

### FEMALE SINGLE-ENDED

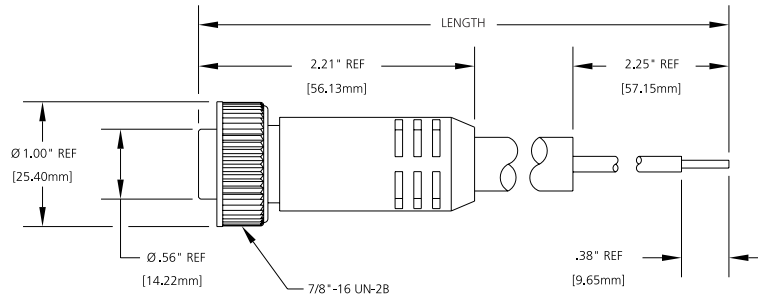


FIG 7

### FEMALE/MALE DOUBLE-ENDED

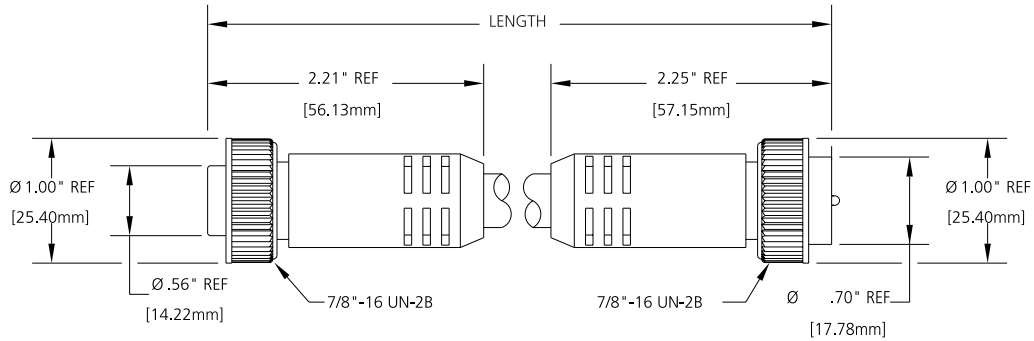


FIG 8

## FEMALE RECEPTACLE FOR HOME RUN CABLE EXTENSIONS

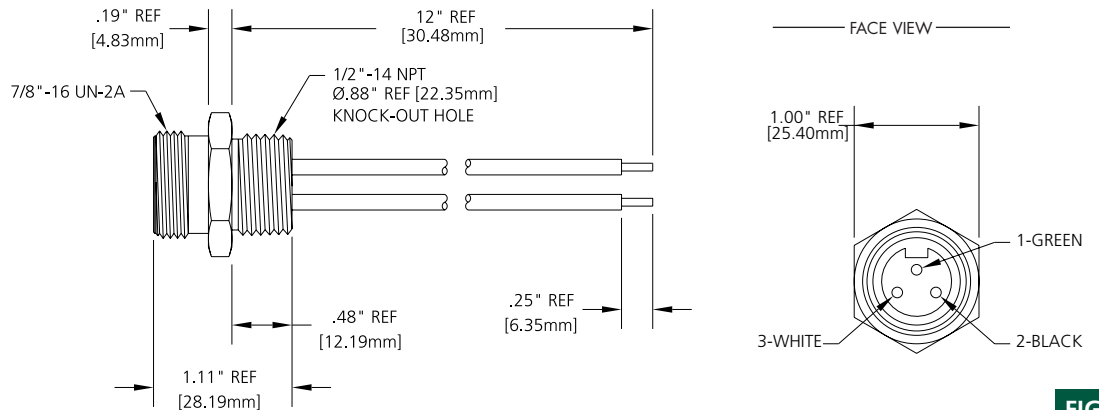


FIG 9

Standard Accessories - marking labels and (2) closure caps for each MPIS  
 \* Other Accessories - see page 298 for other accessories  
 \* Refer to Mini-Change section for complete homerun/receptacle specifications