



Top Mount, Single Keyway with M23 Home Run Connector

Connectorized home run version for maximum flexibility
Flexibility with 4 and 8 port configurations
PNP and NPN versions for use with a variety of DC sensors

NEW	4 Port	8 Port		
HOME RUN CONNECTOR MALE FACE VIEW				
HOME RUN CONNECTOR PINOUTS	1- port #1 load 2- port #2 load 3- port #3 load 4- port #4 load 5- n/c 6- n/c	7- n/c 8- n/c 9- V- 10- V- 11- V+ 12- gnd	1- port #1 load 2- port #2 load 3- port #3 load 4- port #4 load 5- port #5 load 6- port #6 load	7- port #7 load 8- port #8 load 9- V- 10- V- 11- V+ 12- gnd

MPIS SINGLE KEYWAY WITH M23 HOME RUN CONNECTOR			
	FIG		FIG
PNP SCHEMATIC, FIG 1 	3	BTY401P-FBC	4
NPN SCHEMATIC, FIG 2 	3	BTY401N-FBC	4
		BTY801P-FBC	BTY801N-FBC

MATING FEMALE M23 HOME RUN STRAIGHT CONNECTOR** - FIELD ATTACHABLE			
	FIG		CABLE DIAMETER
STRAIGHT CONNECTOR-FEMALE	5	C12FA01022	0.24" -0.39" (6-10mm)
STRAIGHT CONNECTOR-FEMALE	5	C12FA01023	0.31" -0.47" (8-12mm)
STRAIGHT CONNECTOR-FEMALE	5	C12FA01024	0.39" -0.55" (10-14mm)
MATING FEMALE M23 HOME RUN 90° CONNECTOR** - FIELD ATTACHABLE			
90° CONNECTOR-FEMALE	6	C12FA01122	0.24" -0.39" (6-10mm)
90° CONNECTOR-FEMALE	6	C12FA01123	0.31" -0.47" (8-12mm)
90° CONNECTOR-FEMALE	6	C12FA01124	0.39" -0.55" (10-14mm)

*Use 4P/3W male Micro-Change®, single key cordset page 94 or female/male cordsets page 96 to connect to these MPIS ports

**Connectors only - does not include cable

Specifications



MECHANICAL
 INSERT: PA
 HOUSING: GLASS-FILLED PBT
 RECEPTACLE HOUSING: NICKEL-PLATED BRASS
 ID LABEL: ABS
HOME RUN CONNECTOR

ELECTRICAL
 VOLTAGE RATING: 10-30V DC
 AMPERAGE: 4A PER PORT,
 12A TOTAL PER MPIS UNIT

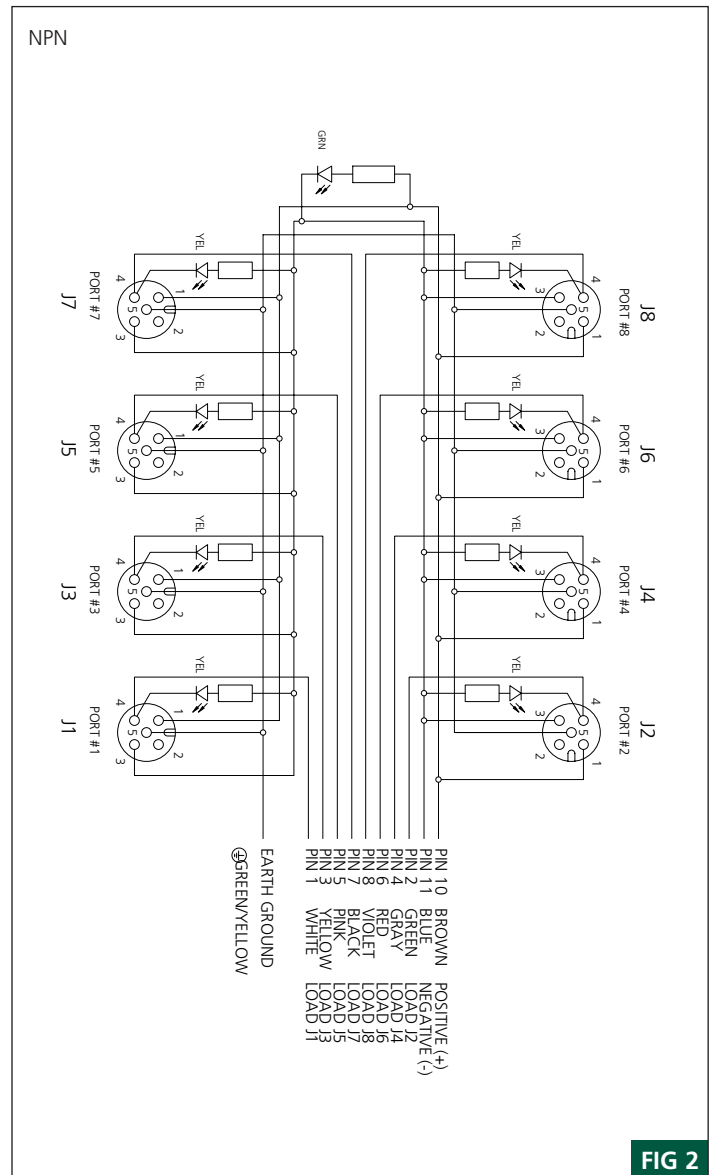
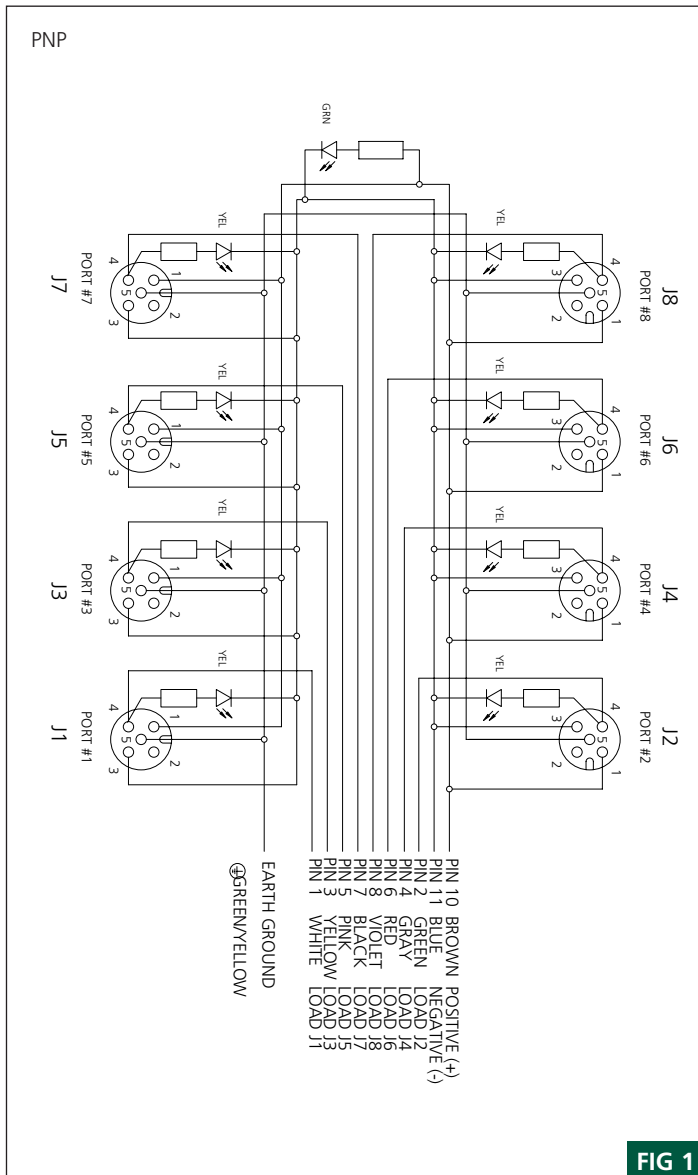
INDICATING LIGHTS:
 GREEN LED-POWER,
 YELLOW LED-FUNCTION
 AVERAGE LED EXPECTANCY:
 100,000 HOURS

ENVIRONMENTAL
 PROTECTION: IP67
 AMBIENT OPERATING TEMPERATURE:
 -13° TO 194° F (-25° TO 90° C)

CERTIFICATIONS

UL: UL RECOGNIZED, FILE NO. E46237
 CSA: CSA CERTIFIED, FILE NO. LR6837

SCHEMATICS



Top Mount, Single Keyway with M23 Home Run Connector

MECHANICALS

4 POLE

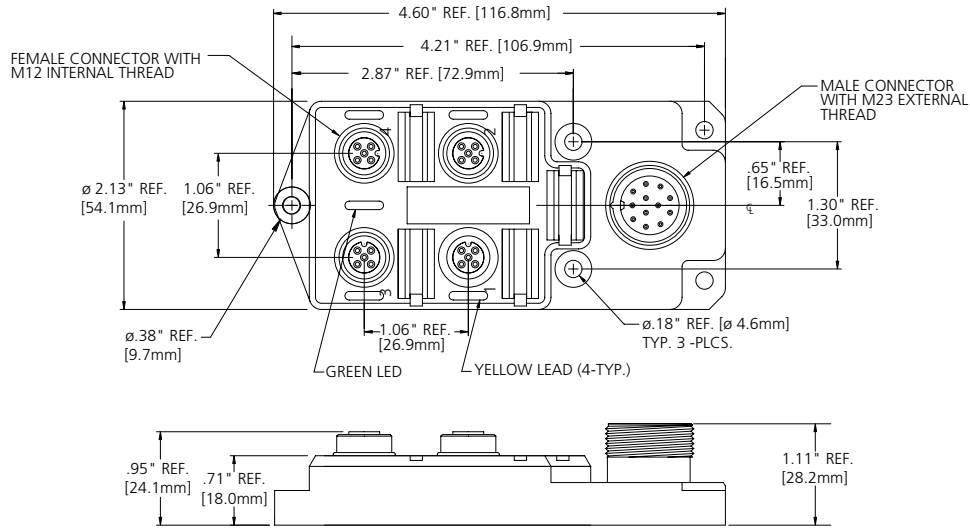


FIG 3

8 POLE

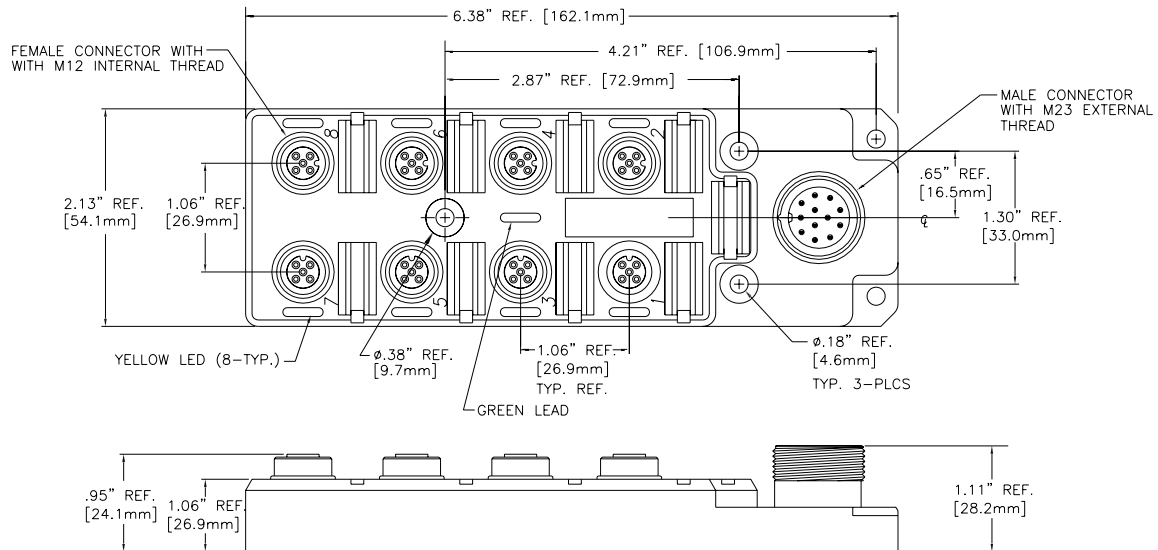


FIG 4

Top Mount, Single Keyway with M23 Home Run Connector

MECHANICALS

HOME RUN CABLE CONNECTOR – FEMALE STRAIGHT

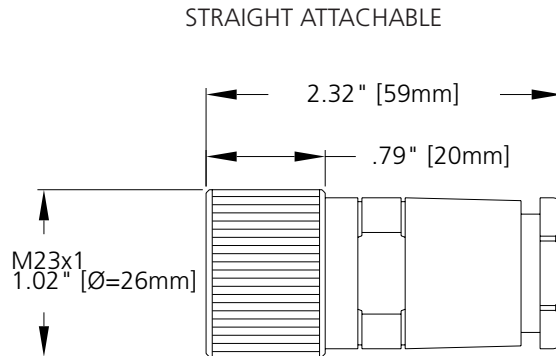


FIG 5

HOME RUN CABLE CONNECTOR – FEMALE 90°

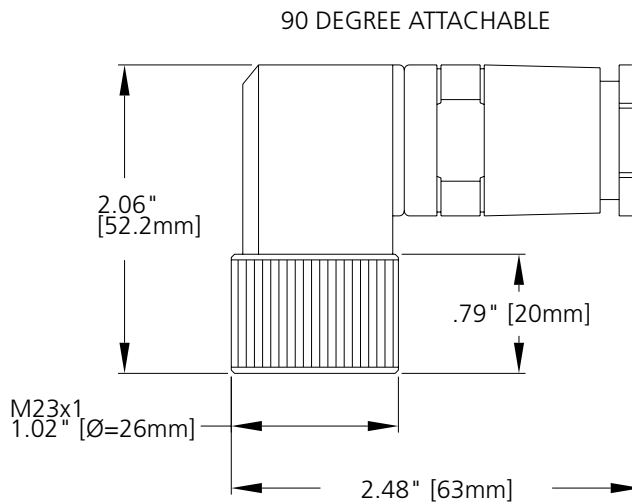


FIG 6

Standard Accessories - Sufficient marking labels and (2) closure caps
* Other Micro-Change MPIS accessories - see page 299