



Top Mount, Single Keyway with Mini-Change® Home Run Connector

Connectorized home run cable connector version for maximum flexibility
Flexibility with 4 and 8 port configurations
PNP and NPN versions for use with a variety of DC sensors

NEW	4 Port	8 Port
HOME RUN CONNECTOR MALE FACE VIEW		
HOME RUN CONNECTOR PINOUTS	1- port #1 load 2- port #2 load 3- port #3 load 4- port #4 load 5- n/c 6- n/c	7- n/c 8- n/c 9- gnd 10- V+ 11- V- 12- n/c
		1- port #1 load 2- port #2 load 3- port #3 load 4- port #4 load 5- port #5 load 6- port #6 load
		7- port #7 load 8- port #8 load 9- gnd 10- V+ 11- V- 12- n/c

FUNCTIONAL WIRING	MPIS SINGLE KEYWAY WITH HOME RUN CONNECTOR			
	FIG		FIG	
PNP SCHEMATIC, FIG 1 	3	BTY401P-FBB	4	BTY801P-FBB
NPN SCHEMATIC, FIG 2 	3	BTY401N-FBB	4	BTY801N-FBB

90° FEMALE SINGLE- ENDED HOME RUN CABLE PVC JACKET & #16 AWG CONDUCTORS				
	FIG		FIG	
HOME RUN CABLE 5M	5	302101A04M050	6	302101A04M050
HOME RUN CABLE 10M	5	302101A04M100	6	302101A04M100
FEMALE 90°/MALE HOME RUN CABLE EXTENSION PVC JACKET & #16 AWG CONDUCTORS				
HOME RUN CABLE 5M	6	332121A04M050	5	332121A04M050
HOME RUN CABLE 10M	6	332121A04M100	5	332121A04M100
FEMALE RECEPTACLE WITH #18 AWG PVC 12" LEADS TO ACCEPT HOME RUN CABLE EXTENSION				
FEMALE RECEPTACLE	7	3R2104A16A120	7	3R2104A16A120

*Use 4P/3W male single keyway, Micro Change™ cordsets page 94 or female/male cordsets page 96 to connect to those MPIS ports

Specifications



HOME RUN CONNECTOR CABLING

MECHANICAL

INSERT: PA
 HOUSING: GLASS-FILLED PBT
 RECEPTACLE HOUSING: NICKEL-PLATED BRASS
 ID LABEL: ABS

YELLOW, PVC CABLE JACKET, #18 AWG AND #22 AWG CABLING AND PVC CONDUCTOR INSULATION OVER 41 X #34 (#18 AWG) AND 26 X #36 (#22 AWG) COPPER STRANDING, UL LISTED VW-1 STYLE 2661, CSA CERTIFIED AWM CLASS II GROUP A/B FT1 105°C, 600 V

OUTSIDE DIAMETER: 0.71" (18.0mm)

ELECTRICAL

VOLTAGE RATING: 10-30V DC
 AMPERAGE: 4A PER PORT, 12A TOTAL PER MPIS UNIT

INDICATING LIGHTS:

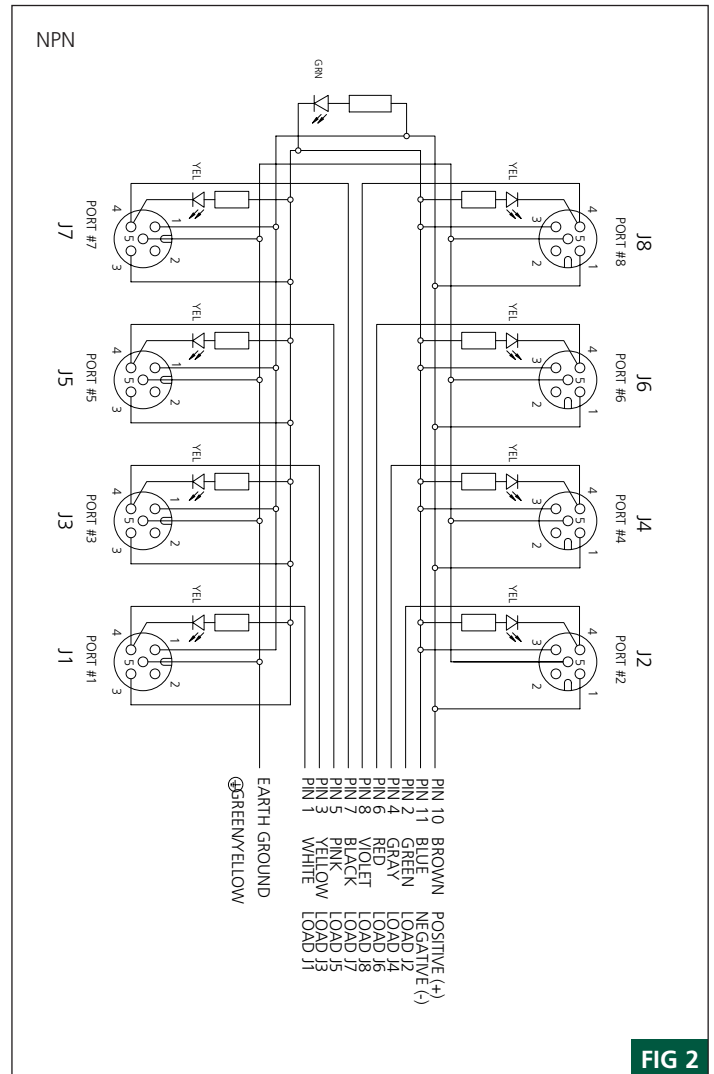
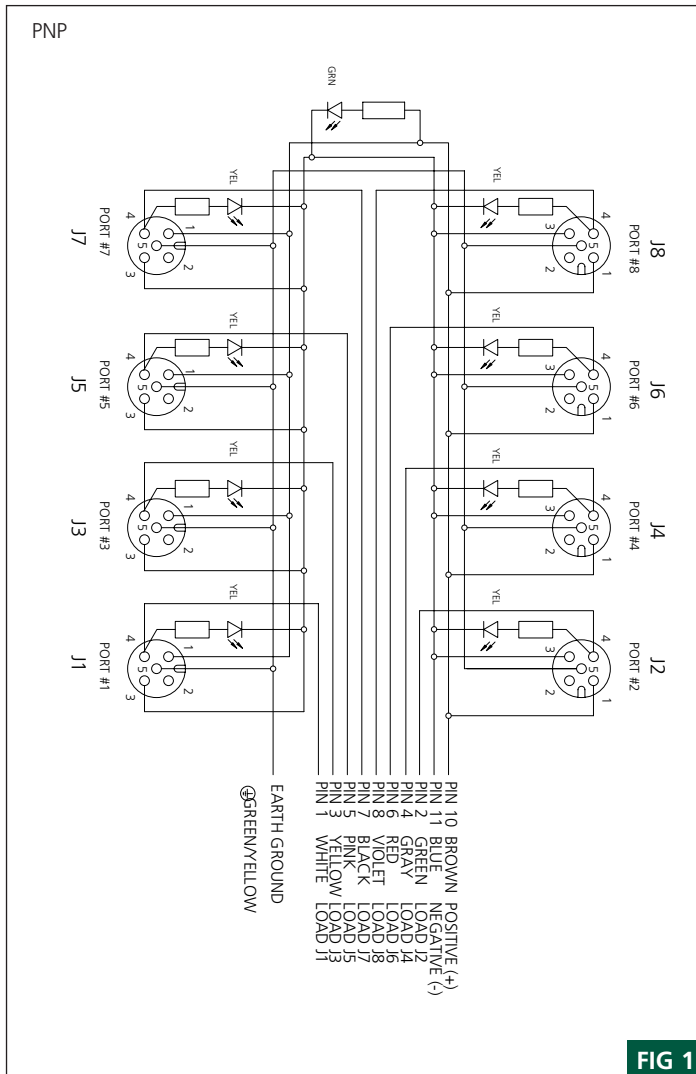
GREEN LED-POWER, YELLOW LED-FUNCTION

AVERAGE LED EXPECTANCY: 100,000 HOURS
 ENVIRONMENTAL PROTECTION: IP68, NEMA 6P
 AMBIENT OPERATING TEMPERATURE: -13°F TO 194°F (-25° C TO 90°C)

CERTIFICATIONS

UL: UL RECOGNIZED, FILE NO. E46237
 CSA: CSA CERTIFIED, FILE NO. LR6837

SCHEMATICS



Top Mount, Single Keyway with Mini-Change® Home Run Connector

MECHANICALS

4 PORT

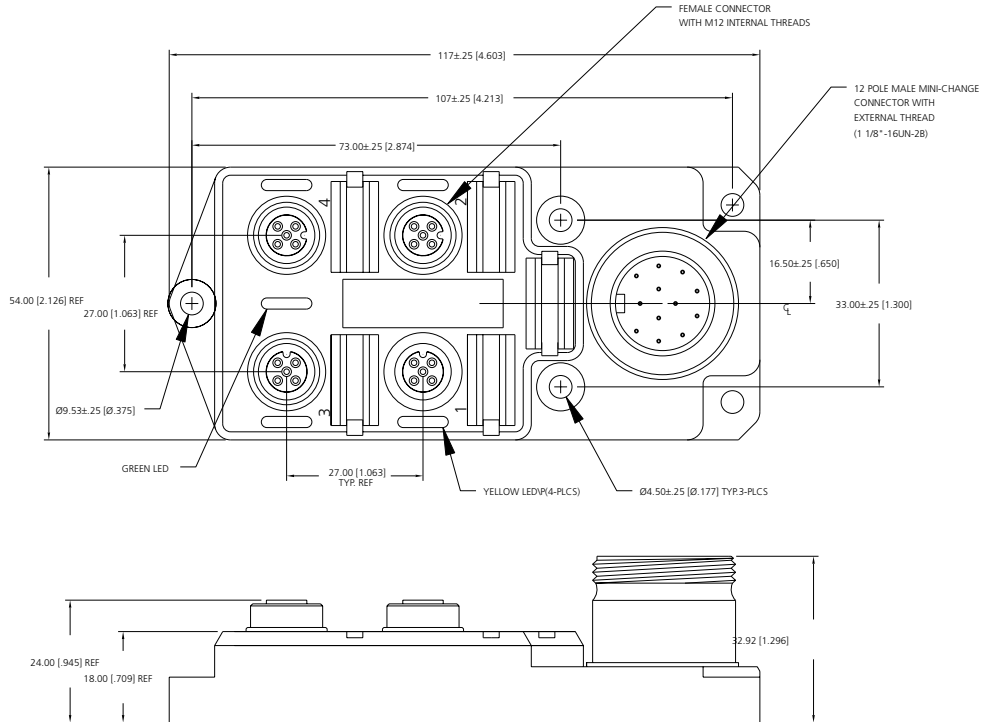


FIG 3

8 PORT

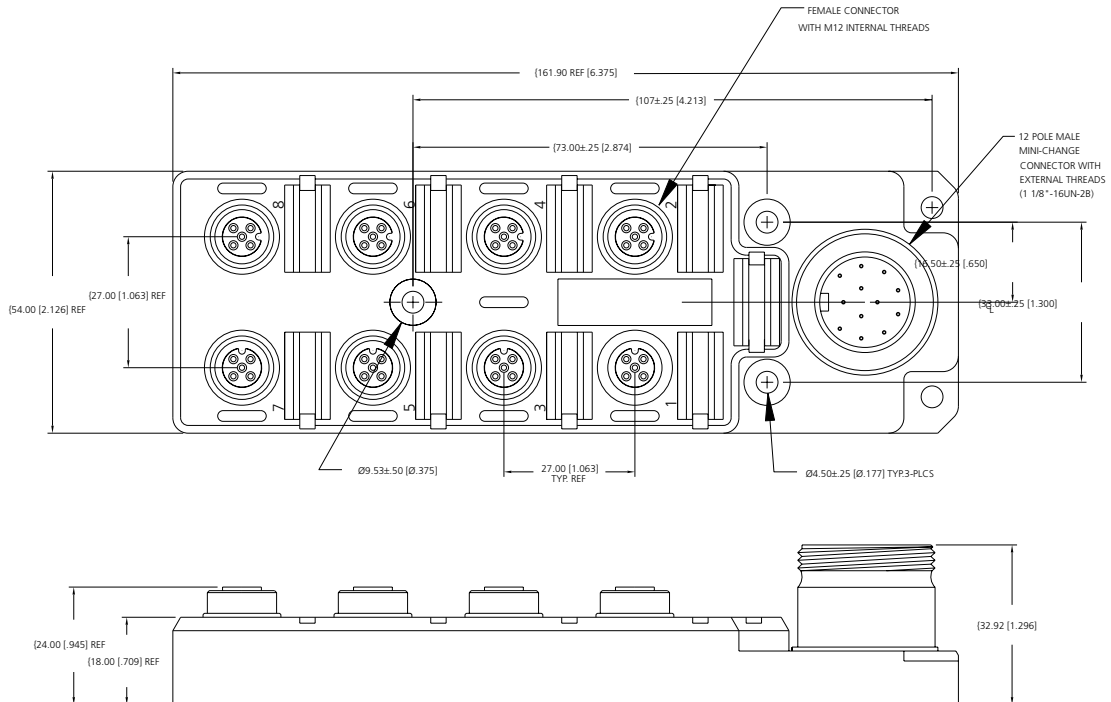


FIG 4

Top Mount, Single Keyway with Mini-Change® Home Run Connector

HOME RUN CABLES

FEMALE 90° SINGLE-ENDED

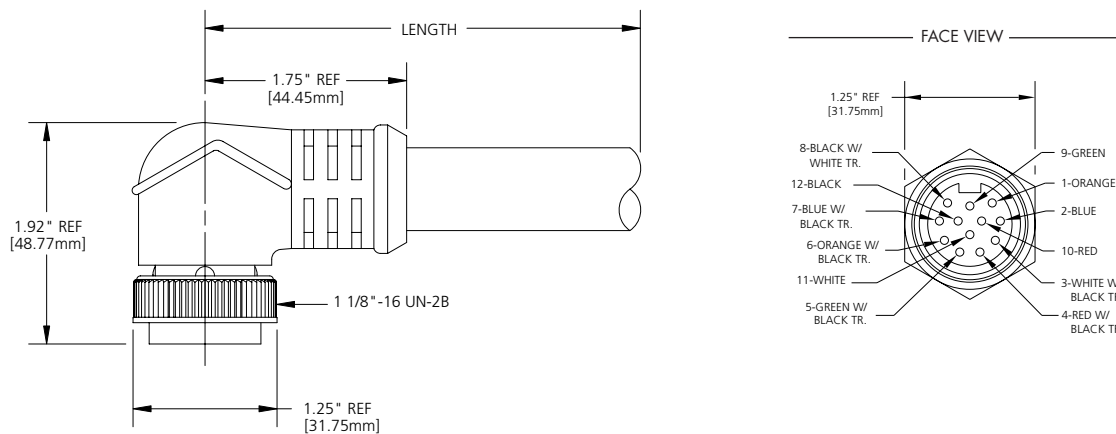


FIG 5

FEMALE 90°/MALE STRAIGHT DOUBLE-ENDED

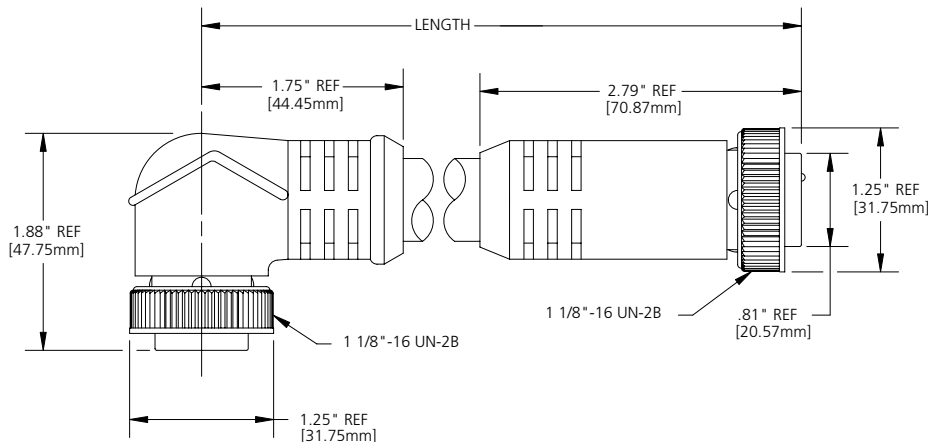


FIG 6

FEMALE RECEPTACLE

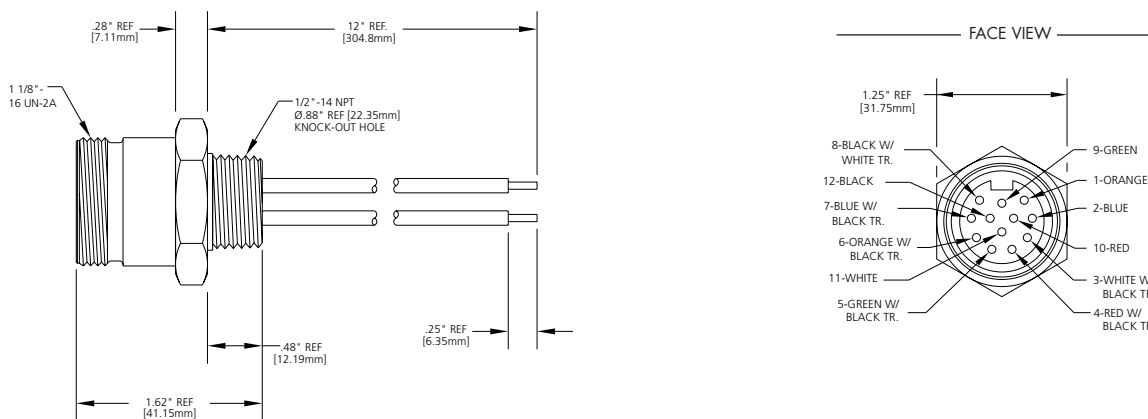


FIG 7