



Side Mount, Dual Keyway

Parallel Wiring-LED with Home Run Connector

Connectorized home run connection for maximum flexibility
 Flexibility with 4, 6 and 8 port configurations
 For use with a variety of AC sensors

	4 Port SCHEMATIC, FIG 1	6 Port SCHEMATIC, FIG 2	8 Port SCHEMATIC, FIG 3
FUNCTIONAL WIRING DIAGRAM			
HOME RUN CONNECTOR PINOUTS	1-LED return (L2) 2-port #3 load 3-common (L1) 4-port #1 load	5-port #2 load 6-port #4 load 7-gnd	1-port #2 load 2-port #4 load 3-port #5 load 4-port #6 load 5-port #7 load 6-port #8 load
HOME RUN CONNECTOR FACE VIEW			

MPIS SINGLE KEYWAY, PARALLEL-WIRED-LED WITH HOME RUN CONNECTOR						
	FIG		FIG		FIG	
MPIS	4	712P401	5	712P601	6	712P801

FEMALE 90° SINGLE-ENDED HOME RUN CABLE						
	FIG		FIG		FIG	
HOME RUN CABLE 6'	7	207001A01F060	9	309001A01F060	9	302000A01F060
HOME RUN CABLE 12'	7	207001A01F120	9	309001A01F120	9	302000A01F120
HOME RUN CABLE 20'	7	207001A01F200	9	309001A01F200	9	302000A01F200

FEMALE 90°/MALE STRAIGHT DOUBLE-ENDED HOME RUN CABLE EXTENSION						
	FIG		FIG		FIG	
HOME RUN CABLE 6'	7	227021A01F060	12	339021A01F060	12	332021A01F060
HOME RUN CABLE 12'	7	227021A01F120	12	339021A01F120	12	332021A01F120
HOME RUN CABLE 20'	7	227021A01F200	12	339021A01F200	12	332021A01F200

FEMALE RECEPTACLE TO ACCEPT HOME RUN CABLE EXTENSIONS WITH 12" LEADS						
	FIG		FIG		FIG	
FEMALE RECEPTACLE	8	2R7004A20A120	10	3R9004A20A120	10	3R2004A20A120

* Use 3P male Micro-Change® Dual Keyway cordsets page 120 or female/male cordsets page 122 to connect to these MPIS ports

Specifications



MECHANICAL
 INSERT: NYLON 6/6
 HOUSING: PBT
 RECEPTACLE HOUSING: ZINC DIE CAST WITH BLACK EPOXY COAT
 ID LABEL: ABS
HOME RUN CONNECTOR CABLING

YELLOW, PVC CABLE JACKET, #16/7,8 AND #12 AWG AND PVC CONDUCTOR INSULATION OVER 65 X #34 COPPER STRANDING , UL LISTED STOOV 105°C, CSA CERTIFIED ST, 600 V

OUTSIDE DIAMETER:
 4 PORT 0.54" (13.7mm)
 6 PORT 0.61" (15.5mm)
 8 PORT 0.71" (18.4mm)

ELECTRICAL
VOLTAGE RATING: 120V AC +/- 15%
AMPERAGE: 4A PER PORT, 12A TOTAL PER MPIS UNIT

INDICATING LIGHTS: GREEN LED-POWER, YELLOW LED-FUNCTION
AVERAGE LED EXPECTANCY: 100,000 HOURS

ENVIRONMENTAL PROTECTION: IP68, NEMA 6P
AMBIENT OPERATING TEMPERATURE: -13° TO 194° F (-25° TO 90° C)

CERTIFICATIONS
 UL: UL RECOGNIZED, FILE NO. E46237
 CSA: CSA CERTIFIED, FILE NO. LR6837

SCHEMATICS

4 PORT

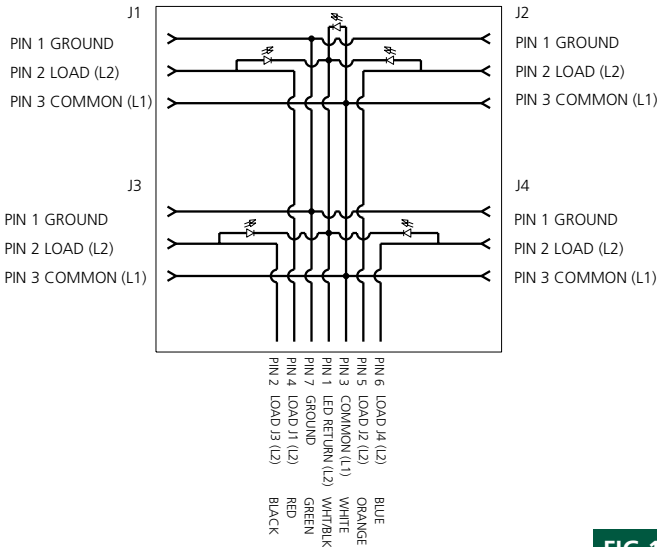


FIG 1

6 PORT

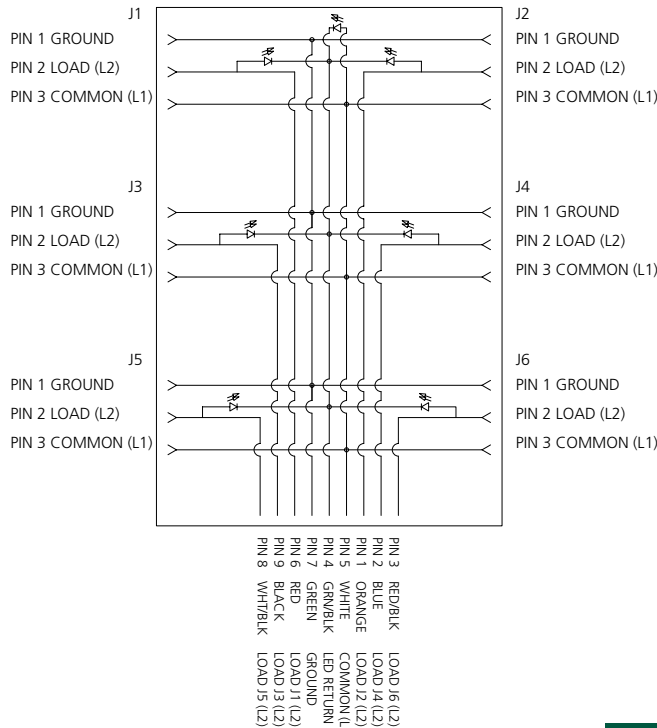


FIG 2

8 PORT

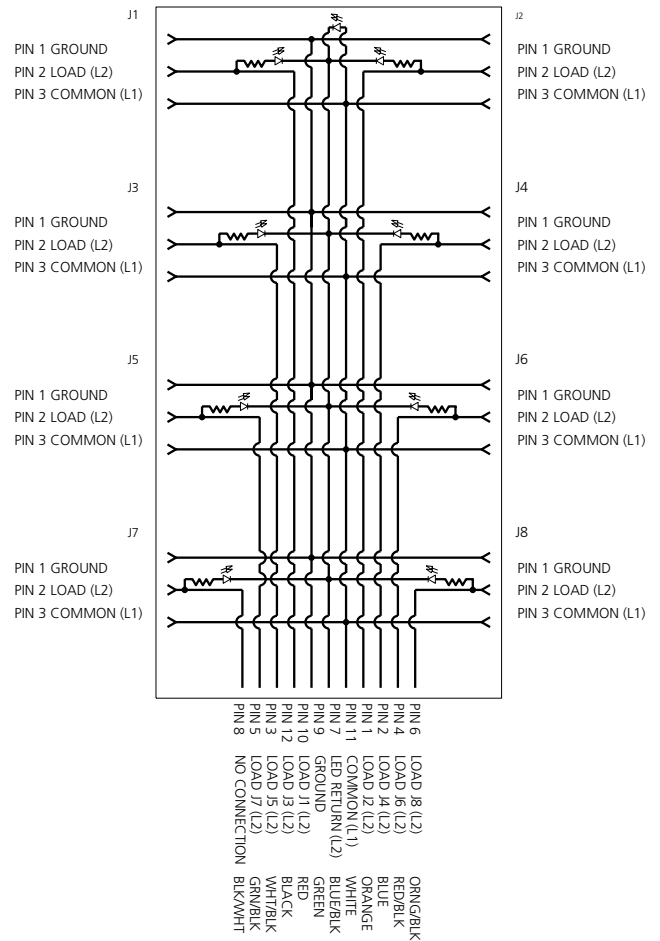


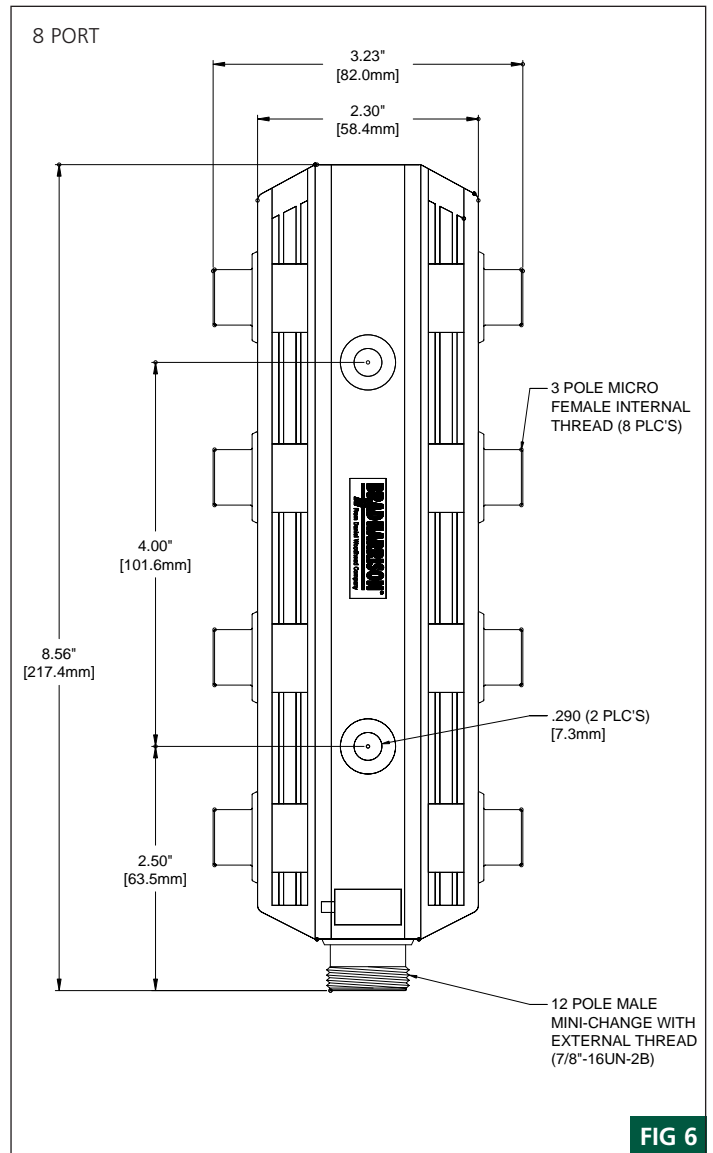
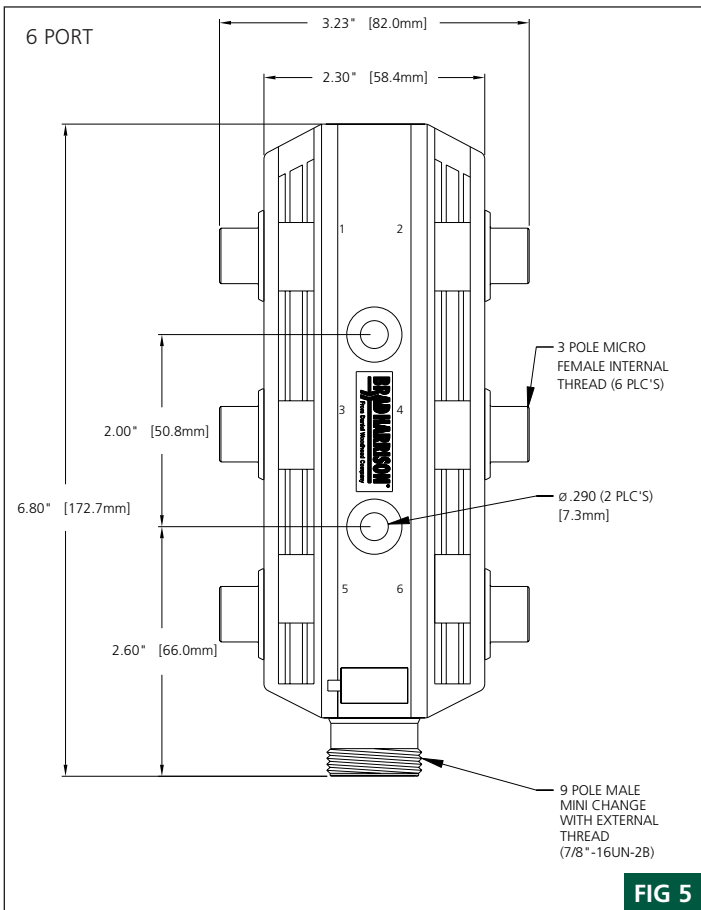
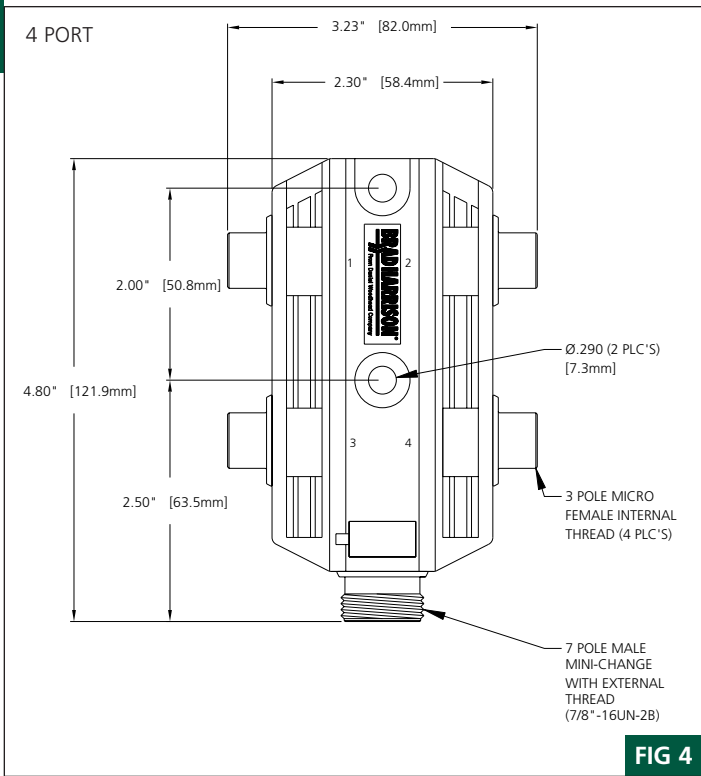
FIG 3

Side Mount, Dual Keyway

Parallel Wiring-LED with Home Run Connector

Micro-Change®

MECHANICALS



Note: For keyway orientation side view see page 288

Side Mount, Dual Keyway

Parallel Wiring-LED with Home Run Connector

HOME RUN CABLE

FEMALE 90° SINGLE-ENDED HOME RUN/CABLE - 4 PORT

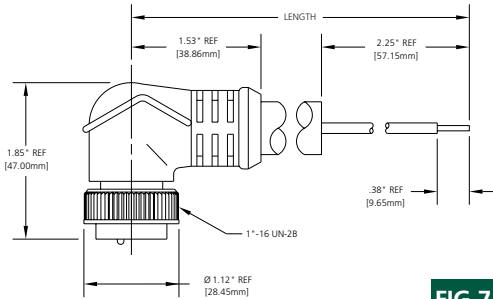


FIG 7

RECEPTACLE

HOME RUN FEMALE RECEPTACLE - 4PORT

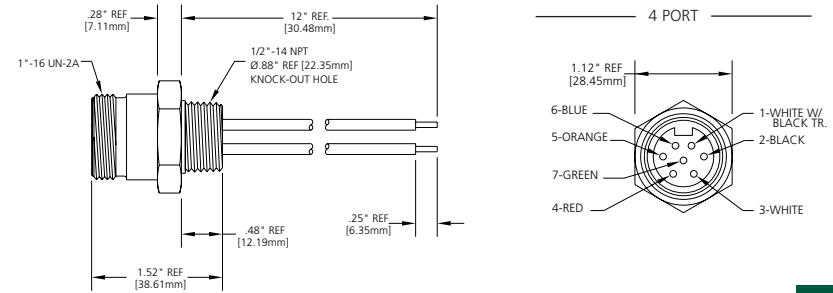


FIG 8

FEMALE 90° SINGLE-ENDED HOME RUN/CABLE - 6 AND 8 PORT

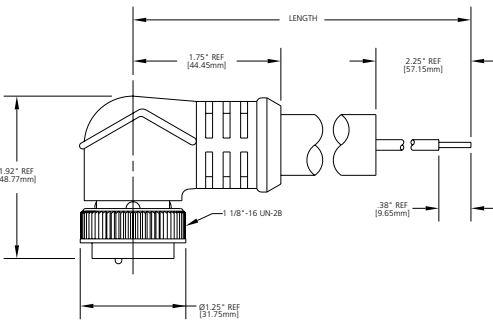


FIG 9

HOME RUN FEMALE RECEPTACLE - 6 AND 8 PORT

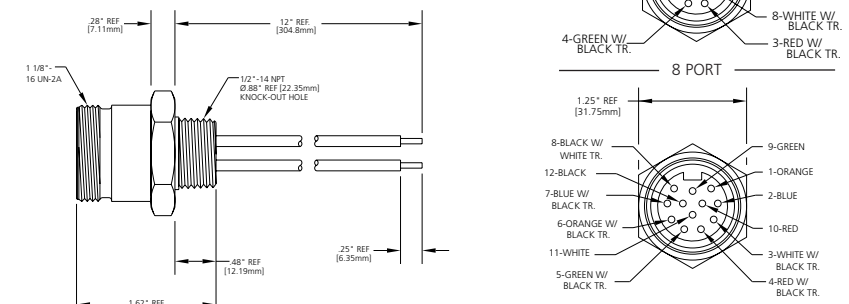


FIG 10

FEMALE 90°/MALE STRAIGHT HOME RUN CABLE EXTENSION - 4 PORT

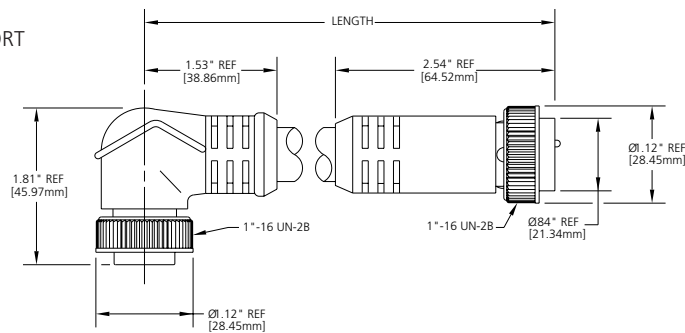


FIG 11

FEMALE 90°/MALE STRAIGHT HOME RUN CABLE EXTENSION - 6 AND 8 PORT

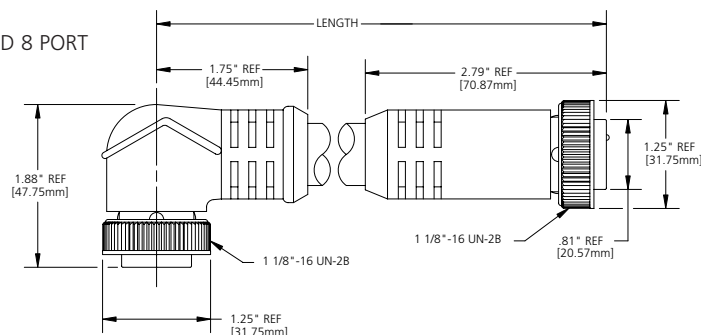


FIG 12