



Dual Round Connectors

Heavy-duty, rugged delivery of power in tough environments
 Unique design prevents mismatching to insure safety
 Insulated and locking flip lids on receptacles for safe lock-outs

	9P	11P**	11P
MALE FACE VIEW			
COLOR CODE	1A- green/black trace 2A- red 3A- white 4A- black Socket- green-gnd	1B- orange 2B- red/black trace 3B- white/black trace 4B- blue	1A- red/black trace 2A- green/black trace 3A- red 4A- white 5A- white/black trace Socket- green-gnd
VOLTAGE	600V AC/DC	600V AC/DC	600V AC/DC
CURRENT	7A	7A	7A

	FIG	STRAIGHT MALE PLUGS WITH 600V AC NEOPRENE JACKETED SO CABLE		
12' CABLE	1	23002	23318	23312
18' CABLE	1	23003	—	—
24' CABLE	1	23010	—	—
MATING RECEPTACLE	2	23001	23301	23301

** Uses 9 conductor cable

Specifications

MECHANICAL (PLUG)

PLUG FACE: NEOPRENE
 BODY: NEOPRENE
 CONTACT: BRASS
 CABLE: BLACK NEOPRENE JACKET, TYPE SO,
 OVER 26 X #30 COPPER STRANDING,
 UL LISTED, CSA 90° C CERTIFIED
 9/C 0.72" (18.3mm)
 11/C 0.67" (17.0mm)

MECHANICAL (RECEPTACLE)

HOUSING: ALUMINUM
 INSERT: NEOPRENE
 FLIP LID: SPRING-LOADED
 CONTACT: BRASS
 TERMINATION: SCREW TYPE
 MAXIMUM WIRE TERMINATION: #16 AWG

ELECTRICAL

VOLTAGE RATING: 600V AC/DC
 AMPERAGE: 7A

ENVIRONMENTAL

AMBIENT OPERATING TEMP: -4° TO 194° F (-20° TO 90° C)

CERTIFICATIONS

UL: UL RECOGNIZED, FILE NO E46237

DIMENSIONS

STRAIGHT MALE PLUG

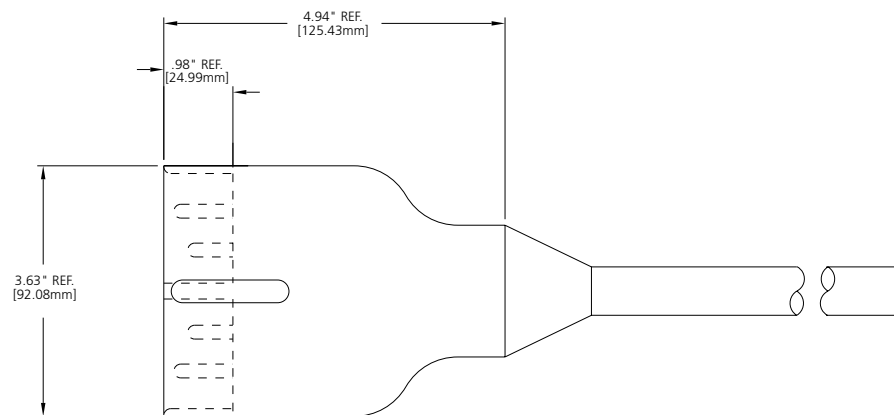


FIG 1

RECEPTACLE-FEMALE

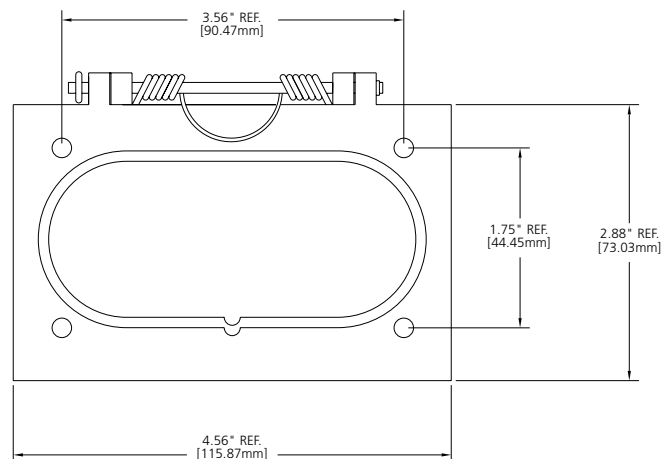


FIG 2