



# Dual Round Connectors

Heavy-duty, rugged delivery of power in tough environments  
 Unique design prevents mismatching to insure safety  
 Insulated and locking flip lids on receptacles for safe lock-outs

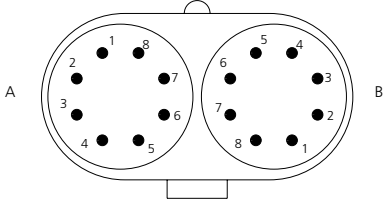
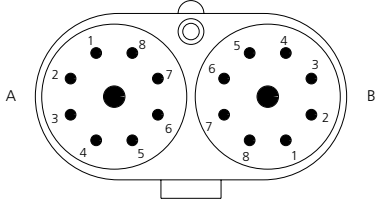
	16P	17P
MALE FACE VIEW		
COLOR CODE	1A- blue/black trace 2A- black/white trace 3A- red/white trace 4A- green/white trace 5A- blue/white trace 6A- black/red trace 7A- orange/black trace 8A- green/black trace 1B- red/black trace 2B- white/black trace 3B- blue 4B- green 5B- red 6B- white 7B- black 8B- orange	1A- red/white trace 2A- green/white trace 3A- white 4A- red 5A- orange 6A- blue 7A- black 8A- white/red trace Socket green-gnd 1B- blue/white trace 2B- black/red trace 3B- white/black trace 4B- red/black trace 5B- orange/black trace 6B- blue/black trace 7B- black/white trace 8B- green/black trace
VOLTAGE	600V AC/DC	600V AC/DC
CURRENT	7A	7A

	FIG	STRAIGHT MALE PLUGS WITH 600V AC NEOPRENE JACKETED SO CABLE	
12' CABLE	1	25216	25420
MATING RECEPTACLE	3	25204	25401
	FIG	HAMMERHEAD MALE PLUGS WITH 600V AC NEOPRENE JACKETED SO CABLE	
12' CABLE	2	25219	25423
MATING RECEPTACLE	3	25204	25401
FEMALE INSERTS	FIG	INSERTS - 2 REQUIRED PER RECEPTACLE	
INSERT		—	25404

# Specifications

## MECHANICAL (PLUG)

PLUG FACE: NEOPRENE  
 BODY: NEOPRENE  
 CONTACT: BRASS  
 CABLE: BLACK NEOPRENE JACKET,  
 OVER 26 X #30 COPPER STRANDING,  
 UL LISTED, CSA 90° C CERTIFIED  
 16/C 0.72" (18.3mm)  
 17/C 0.84" (21.4mm)

## MECHANICAL (RECEPTACLE)

HOUSING: ALUMINUM  
 INSERT: NEOPRENE  
 FLIP LID: SPRING-LOADED  
 CONTACT: BRASS  
 TERMINATION: SCREW TYPE  
 MAXIMUM WIRE TERMINATION: #16 AWG

## ELECTRICAL

VOLTAGE RATING: 600V AC/DC  
 AMPERAGE: 7A

## ENVIRONMENTAL

AMBIENT OPERATING TEMP: -4° TO 194° F (-20° TO 90° C)

## CERTIFICATIONS

UL: UL RECOGNIZED, FILE NO E46237

## DIMENSIONS

STRAIGHT CORDSET-MALE

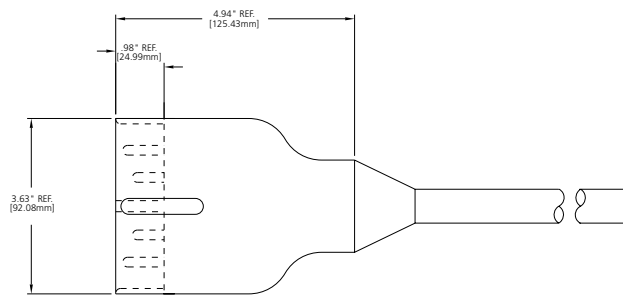


FIG 1

HAMMERHEAD CORDSET-MALE

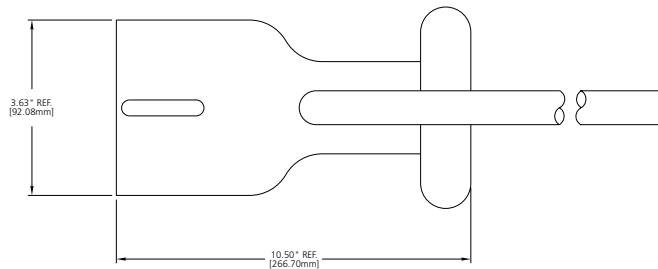


FIG 2

RECEPTACLE-FEMALE

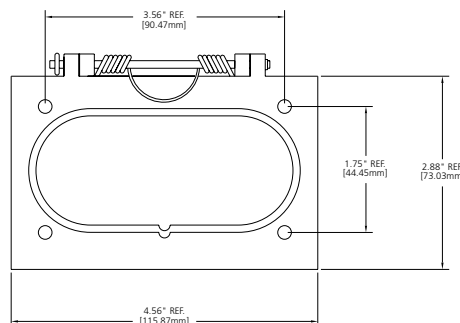


FIG 3