



Receptacles

#16 AWG PVC 12-inch Leads – U.S. color code, epoxy potted
 Black epoxy coat zinc diecast shell design
 Use in control panels, junction boxes and sensors

	6P	7P	8P
MALE FACE VIEW			
COLOR CODE	1- orange 2- blue 3- black 4- white 5- red 6- green-gnd	1- white-black trace 2- black 3- white 4- red 5- orange 6- blue 7- green-gnd	1- orange 2- blue 3- white-black trace 4- black 5- white 6- red 7- green-gnd 8- red-black trace
VOLTAGE	600V AC/DC	600V AC/DC	600V AC/DC
CURRENT	8A	8A	7A
CONDUCTOR	#16-6	#16-7	#16-8

MALE	FIG	RECEPTACLES WITH #16 AWG PVC LEADS 12 INCHES LONG		
STRAIGHT WITH 1/2"-14NPT	2	2R6006A20A120	2R7006A20A120	2R8006A20A120
FEMALE	FIG	RECEPTACLES WITH #16 AWG PVC LEADS 12 INCHES LONG		
STRAIGHT WITH 1/2"-14NPT	1	2R6004A20A120	2R7004A20A120	2R8004A20A120

PART NO.	ACCESSORIES
5601	Lockout 1/2" -14NPT, zinc plated steel
5611	Gasket, black neoprene

CATALOG OPTIONS

Use the following chart to modify your part's specifications

2R6006A20A1201

LEAD LENGTH

3'	F030
6'	F060

SHELL

STAINLESS STEELADD 1

Specifications



MECHANICAL

SHELL: ZINC DIECAST W/ BLACK EPOXY COAT, OPTIONAL STAINLESS STEEL TYPE 303

INSERT: PVC - UL STD 94 - V0
 CONDUCTORS: #16 AWG PVC INSULATION OVER 26 X #30 COPPER STRANDING, 600V, UL STYLE 1015 CSA TEW

ELECTRICAL

VOLTAGE RATING: 600 V AC/DC
 AMPERAGE: 6P - 8A
 7P - 8A
 8P - 7A

ENVIRONMENTAL

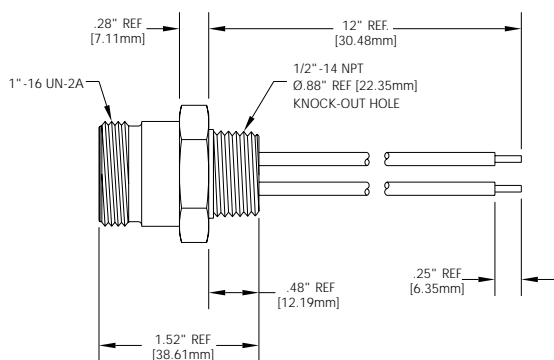
PROTECTION: IP 68, NEMA 6P
 AMBIENT OPERATING TEMP: -4° to 221° F (-20° to 105° C)

CERTIFICATIONS

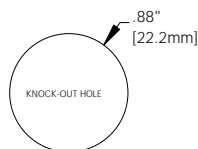
UL: UL RECOGNIZED, FILE NO. E46237
 CSA: CSA CERTIFIED, FILE NO. LR6837

RECEPTACLE DIMENSIONS

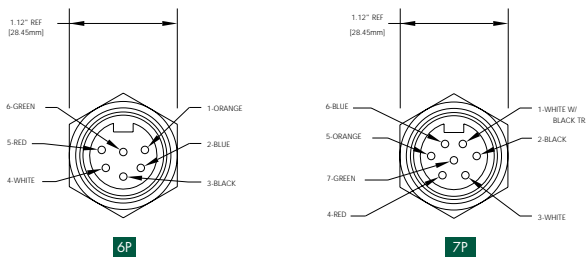
FEMALE STRAIGHT WITH 1/2" - 14NPT



TYPICAL KNOCKOUT

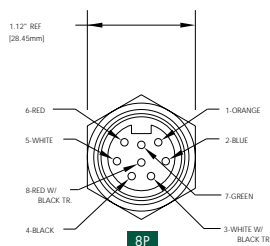


FEMALE FACE VIEW



6P

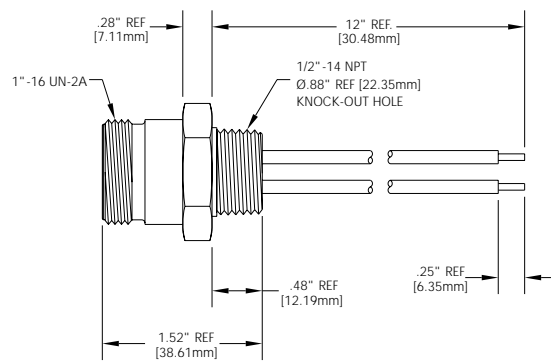
7P



8P

FIG 1

MALE STRAIGHT WITH 1/2" - 14NPT



TYPICAL KNOCKOUT

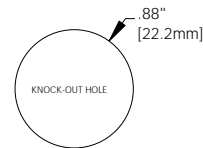


FIG 2