



M8 Splitter - (2) Female to (1) Male

Combines two inputs into one small footprint molded output connection
 M8 to M8 threaded connection and M8 to M12 connections
 Consolidates 3-wire DC sensors or switches

NEW	"Y" Splitter - M8 to M8	"Y" Splitter - M8 to M12
FEMALE FACE VIEW INPUTS	Typical For A & B 	Typical For A & B
FEMALE PIN	1- +VDC 2- output 3- common	1- +VDC 2- output 3- common
MALE FACE VIEW OUTPUT		
MALE PIN	1- +VDC 2- output (Branch "B") 3- common 4- output (Branch "A")	1- +VDC 2- output (Branch "B") 3- common 4- output (Branch "A")
VOLTAGE	60V AC / 75V DC	
CURRENT	4A	

	FIG	"Y" MOLDED SPLITTER (2) 3P M8 FEMALE INPUTS; (1) 4P M8 MALE OUTPUT
SPLITTER	1 AND 3	080804LMF00000

Note: for cordsets to connect to inputs see pages 168-175

	FIG	"Y" MOLDED SPLITTER (2) 3P M8 FEMALE INPUTS; (1) 4P M12 MALE OUTPUT
SPLITTER	2 AND 3	080804EMF00000

Note: For cordsets to connect to inputs see pages 168-175
 For multiple connection junction boxes (MPIS) see pages 302-315

Specifications



MECHANICAL

CONNECTOR FACE: PUR
 MOLDED BODY: PUR
 COUPLING NUT MATERIAL: NICKEL-PLATED BRASS

ELECTRICAL

VOLTAGE RATING: 75 V DC; 60 V AC
 AMPERAGE: 4A

ENVIRONMENTAL

PROTECTION: IEC IP 68
 AMBIENT OPERATING TEMPERATURE: 32° TO 185°C (0° TO 85°C)

SCHEMATIC

MALE OUTPUT CONNECTION/
 FEMALE INPUT CONNECTION

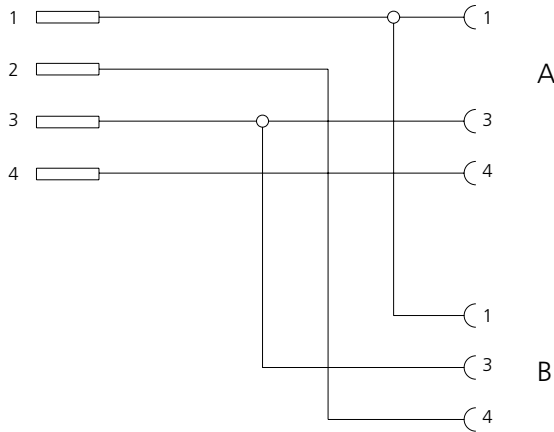


FIG 3

SPLITTER DIMENSIONS

M8 to M8 "Y" SPLITTER

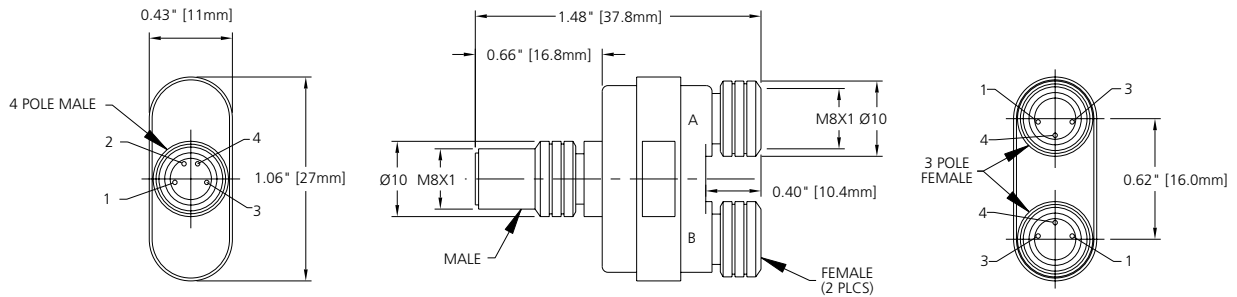


FIG 1

M8 to M12 "Y" SPLITTER

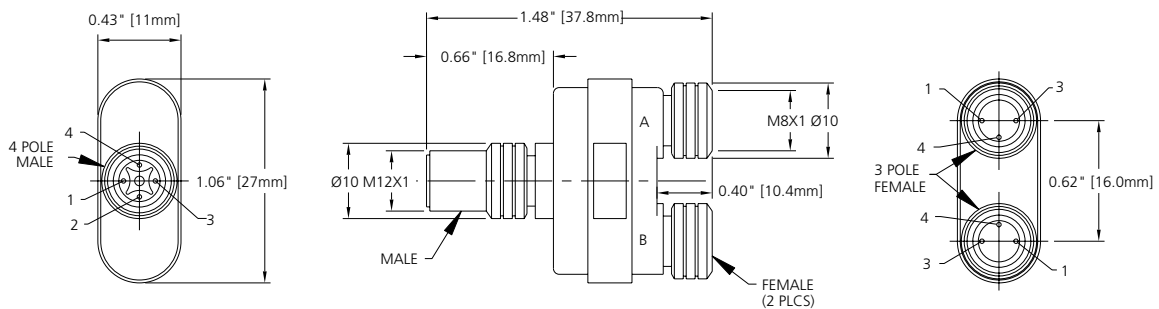


FIG 2