

2P to 6P



# Single-Keyway M12 and Dual-Keyway 1/2" - 20 UNF

Single keyway M12 closure caps  
 Dual keyway 1/2" - 20 UNF closure caps  
 Dual keyway 1/2" - 20 UNF to Mini-Change® quick-disconnect adapters

## MICRO-CHANGE SINGLE KEYWAY M12 ACCESSORIES

DESCRIPTION	FIG	3P	4P	5P
METALLIC CLOSURE CAP WITH INTERNAL THREADS	1		80011	
METALLIC CLOSURE CAP WITH EXTERNAL THREADS	2		80015	
NON-METALLIC CLOSURE CAP WITH EXTERNAL THREADS	2		80013	

M12 SINGLE KEY CLOSURE CAP WITH INTERNAL THREADS

M12X1 THREAD INTERNAL

.58"

.45"

6" LONG CHAIN

FOR USE WITH 3 - 5P RECEPTACLES OR 3 - 5P CONNECTORS W/EXTERNAL M12 THREADS

**FIG 1**

M12 SINGLE KEY CLOSURE CAP WITH EXTERNAL THREADS

.06"

.57"

.47"

M12X1 THREAD

FOR USE WITH 3 - 5P RECEPTACLES OR 3 - 5P CONNECTORS W/INTERNAL M12 THREADS

**FIG 2**

## MICRO-CHANGE DUAL KEYWAY 1/2" - 20 UNF ACCESSORIES

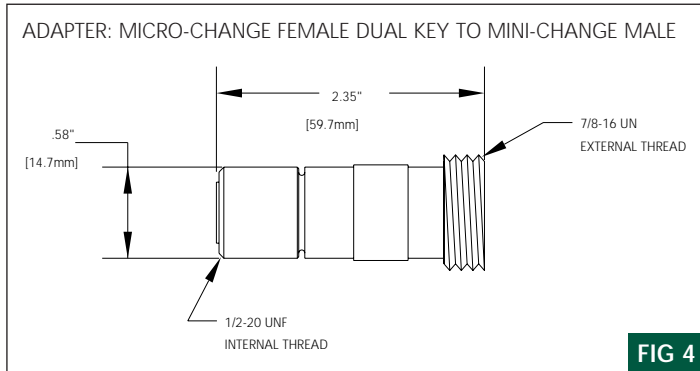
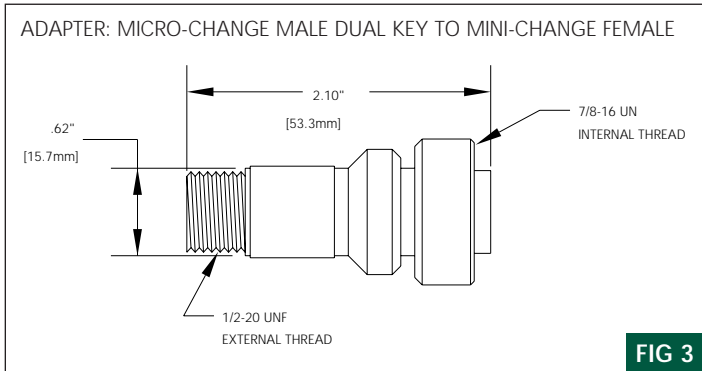
DESCRIPTION	FIG	2P	3P	4P	5P	6P
ADAPTER WITH 1/2 - 20 MALE DUAL KEY TO FEMALE MINI-CHANGE	3	70004	70204	70404	70604	—
ADAPTER WITH 1/2 - 20 FEMALE DUAL KEY TO MALE MINI-CHANGE	4	70005	70205	70405	70605	—
METALLIC CLOSURE CAP WITH INTERNAL THREADS	5			70010		
METALLIC CLOSURE CAP WITH EXTERNAL THREADS	5			70015		

# Specifications

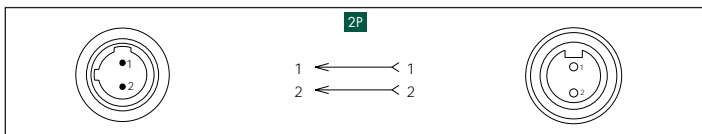
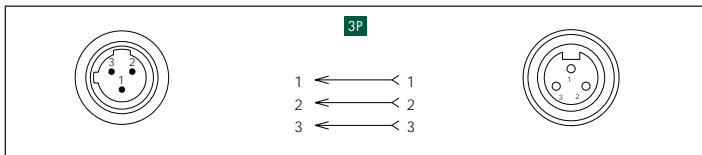
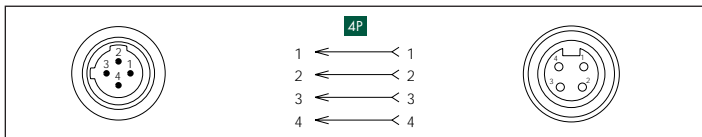
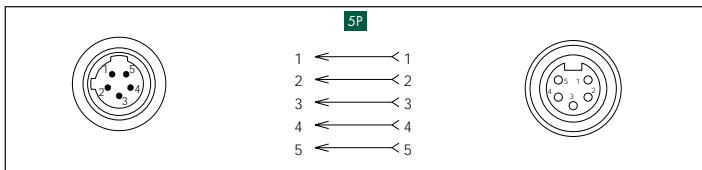


**MECHANICAL CLOSURE CAPS**  
 SINGLE KEYWAY M12  
 METALLIC: BLACK ANODIZED ALUMINUM  
 NON-METALLIC: NYLON 6/6  
**DUAL KEYWAY**  
 METALLIC: GRAY ANODIZED ALUMINUM  
**DUAL KEYWAY ADAPTERS**  
 ADAPTER FACE: PVC  
 ADAPTER BODY: GRAY ANODIZED ALUMINUM  
 CONDUCTORS: #22 AWG WITH IRR. PVC INSULATION OVER 7 X #30 COP PER STRANDING, 300V, UL STYLE 1430, CSA REW

## MICRO-CHANGE® ACCESSORIES



MICRO-CHANGE DUAL KEY MALE FACE VIEW	CONNECTION DIAGRAM	MINI-CHANGE FEMALE FACE VIEW
--------------------------------------	--------------------	------------------------------



MICRO-CHANGE DUAL KEY FEMALE FACE VIEW	CONNECTION DIAGRAM	MINI-CHANGE MALE FACE VIEW
--	--------------------	----------------------------

