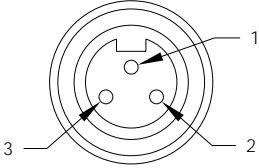
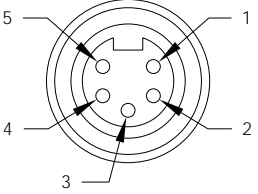


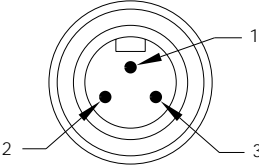
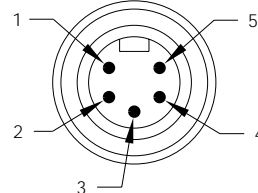


Attachable Connectors

Allows easy field conversion to quick disconnect
 Male with internal or external threads - female with internal threads
 Secure screw terminals #15 AWG to #24 AWG - compatible with existing Mini-Change®

| NEW | 3P | 5P |
|------------------|---|---|
| FEMALE FACE VIEW |  |  |
| VOLTAGE | 600V AC/DC | 600V AC/DC |
| CURRENT | 13A | 8A |
| CABLE RANGE | .20" -.48" (5mm-12mm) O.D. | .20" -.48" (5mm-12mm) O.D. |

| FEMALE | FIG | CATALOG NUMBER | |
|--------------------------------|-----|----------------|---------------|
| STRAIGHT WITH INTERNAL THREADS | 1 | 1A3000-34 | 1A5000-34 |
| MATING RECEPTACLE | 4 | 1R3006A20A120 | 1R5006A20A120 |

| | 3P | 5P |
|----------------|---|---|
| MALE FACE VIEW |  |  |
| VOLTAGE | 600V AC/DC | 600V AC/DC |
| CURRENT | 13A | 8A |
| CABLE RANGE | .20" -.48" (5mm-12mm) O.D. | .20" -.48" (5mm-12mm) O.D. |

| MALE | FIG | CATALOG NUMBER | |
|--------------------------------|-----|----------------|---------------|
| STRAIGHT WITH EXTERNAL THREADS | 2 | 1A3006-34 | 1A5006-34 |
| MATING RECEPTACLE* | 5 | 1R3000A20A120 | 1R5000A20A120 |
| STRAIGHT WITH INTERNAL THREADS | 3 | 1A3002-34 | 1A5002-34 |
| MATING RECEPTACLE* | 6 | 1R3004A20A120 | 1R5004A20A120 |

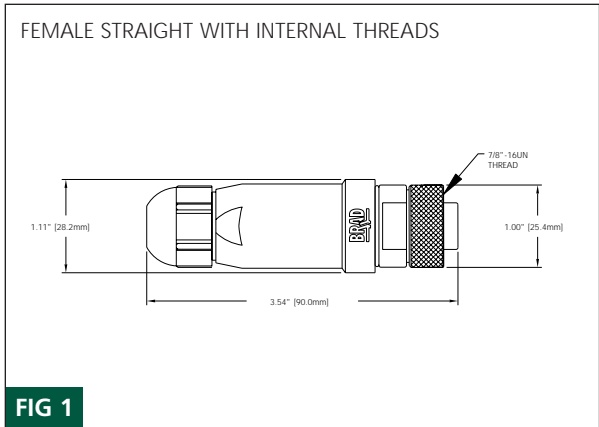
*See Page 46 for additional Mating Receptacles

Specifications



| | |
|------------------------------|---|
| MECHANICAL | |
| CONNECTOR FACE: | POLYURETHANE |
| BODY: | POLYAMIDE PA6 |
| CONTACT: | GOLD-PLATED BRASS |
| COUPLING NUT: | NICKEL-PLATED BRASS |
| GROMMET: | NEOPRENE |
| CABLE RANGE O.D.: | .20" - .48" (5.0 - 12.0mm) |
| ACCEPTABLE WIRE GAUGE RANGE: | #24 AWG (.25mm ²) - #15 AWG (2.0mm ²) |
| ELECTRICAL | |
| VOLTAGE RATING: | 600 V AC/DC |
| AMPERAGE: | 3P - 13A 5P - 8A |
| ENVIRONMENTAL | |
| PROTECTION: | IP 68 |
| AMBIENT OPERATING TEMP: | -40° TO 176° F (-40° TO 80° C) |
| CERTIFICATIONS | |
| CSA: | CSA CERTIFIED, FILE NO. LR6837 |

CONNECTOR DIMENSIONS



RECEPTACLE DIMENSIONS

