

hose reels



Includes

- Open Spring-Driven Reels**
- Enclosed Spring-Driven Reels**
- Specialty Reels**
- Hand Wind Hose Reels**
- Stainless Steel Reels**
- Welding Reels**
- Large Capacity Reels**





Fluid power solutions for a full range of industrial applications

Get the power to perform with the most advanced hose reels in the industry. Made with precision mechanical components, Aero-Motive® reels are designed to provide top performance, long service life and ease of maintenance. With a huge selection of sizes, styles and related accessories, you get the fluid power solutions you need.

For interactive hose reel selector and the most current information on all Aero-Motive® products from Woodhead, visit:

reels.com



AERO-MOTIVE® SERIES PREMIUM INDUSTRIAL GRADE HOSE REELS PAGE 4

The all new premium series is designed to withstand the toughest industrial challenges. Heavy gauge steel housing and precision brass and stainless fluid path fittings ensure long term performance with minimal maintenance. Six roller hose guide extends the life and efficiency of the hose. The guide arm is adjustable to eight positions. The reel design incorporates an anti-lock-out feature in the ratchet design to eliminate the potential of getting the reel locked at the end of its travel. Aero-Motive® reels are easy to install, adjust, and maintain.

VPR® SERIES STANDARD HOSE REELS PAGE 5

The advanced VPR® series delivers full-featured performance at an affordable price. Designed for general and industrial plant use. Low, medium and high pressure models are available. Perfect for production lines, shipping, maintenance applications or field service trucks.



OPEN SPRING-DRIVEN REELS Page 4-7

Steel, aluminum or composite construction helps make these reels perfect for more demanding applications.

ENCLOSED SPRING-DRIVEN HOSE REELS Page 8-9

Featuring an enclosed design to protect the hose in difficult environments.



STAINLESS STEEL Page 10-11

New stainless steel models make it easy to meet the hygienic standards of the food processing industry. Also ideal for use in harsh environments.



HAND WIND HOSE REELS Page 12

Industrial strength reels provide a convenient way to keep floors clear and hoses from getting kinked and tangled.



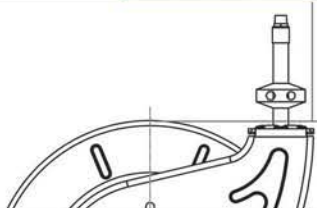
SPECIALTY REELS Page 13-15

Includes reels for static discharge, welding, and truck mount applications.



ACCESSORIES Page 16

Accessories include: hose assemblies, pivot and swing bases for directional flexibility, ratchet replacement kits, and hose grips and stops.



TECHNICAL DATA AND ILLUSTRATIONS Page 17-23

Detailed information on friction of materials through hose, hose ratings, and compatibility of various chemicals with hose.

Aero-Motive® Series Premium Industrial Grade

These all new premium reels are designed to withstand the toughest industrial challenges. Ideal for production lines, material handling equipment, service areas, maintenance applications and service vehicles.

- Steel construction for long life in industrial applications (PWL reels use a composite spool assembly)
- Containerized main spring for safe, easy maintenance
- Adjustable guide arm - eight positions
- Six-roller guide to protect hose
- Brass and stainless steel fluid path
- Durable epoxy powder-coat finish
- Ratchet lock and easy tension adjustment
- Hose stop included with all models
- Nitrile seals
- Anti-lockout ratchet design



PW, PA, PB

Accessories on page 16.
For dimensions, see page 19



Brass and stainless steel design for long life



Six-roller design minimizes hose wear

Hose Specs

Low Pressure (to 300 PSI)	Type: PVC tube Black PVC cover Max Temp: 176° F (80°C)
Medium Pressure (to 3000 PSI)	Type: SAE 100 R1 TYPE AT Synthetic Rubber tube & cover Max Temp: 212°F (100°C)
High Pressure (to 5000 PSI)	Type: SAE 100 R2 TYPE AT Synthetic Rubber tube & cover Max Temp: 212°F (100°C)

Other hose types available, consult factory.

Low Pressure

Model	Inlet hose fitting (NPT)	Hose Inner Diameter	Length feet	m	Pressure PSI
PWL230	1/4"	1/4"	30	9.1	300
PWL325	3/8"	3/8"	25	7.62	300
PWL300	3/8"	Without Hose			300
PAL230	1/4"	1/4"	30	9.1	300
PAL200	1/4"	Without Hose			300
PAL330	3/8"	3/8"	30	9.1	300
PAL300	3/8"	Without Hose			300
PBL350	3/8"	3/8"	50	15.24	300
PBL300	3/8"	Without Hose			300
PBL435	1/2"	1/2"	35	10.6	300
PBL400	1/2"	Without Hose			300
PBL450	1/2"	1/2"	50	15.24	300

Medium Pressure

Model	Inlet hose fitting (NPT)	Hose Inner Diameter	Length feet	m	Pressure PSI
PAM230	1/4"	1/4"	30	9.1	3000
PAM330	3/8"	3/8"	30	9.1	3000
PAM300	3/8"	Without Hose			3000
PBM350	3/8"	3/8"	50	15.24	3000
PBM435	1/2"	1/2"	35	10.6	3000
PBM450	1/2"	1/2"	50	15.24	3000
PBM400	1/2"	Without Hose			3000

High Pressure

Model	Inlet hose fitting (NPT)	Hose Inner Diameter	Length feet	m	Pressure PSI
PAH230	1/4"	1/4"	30	9.1	5000
PAH200	1/4"	Without Hose			5000
PAH325	3/8"	3/8"	25	7.62	4000
PAH300	3/8"	Without Hose			4000
PBH250	1/4"	1/4"	50	15.24	5000
PBH200	1/4"	Without Hose			5000
PBH335	3/8"	3/8"	30	9.1	4000
PBH350	3/8"	3/8"	50	15.24	4000
PBH300	3/8"	Without Hose			4000

VPR® Series Standard



Designed for general and industrial use. Ideal for production lines, material handling equipment, service areas, maintenance applications and service vehicles.

- Steel construction for long life in industrial applications
- Containerized main spring for safe, easy maintenance
- Adjustable guide arm
- Four roller guide to protect hose
- Brass and stainless steel fluid path
- Durable epoxy powder-coat finish
- Ratchet lock and easy tension adjustment
- Hose stop included with all models
- Nitrile seals

Accessories on page 16
For dimensions, see page 20

**DA, MA, HA,
DB, MB, HB**



Model	Inlet hose fitting (NPT)	Hose Inner Diameter	Length		Pressure PSI
			feet	m	
DA230	1/4"	1/4"	30	9.1	300
DA330	3/8"	3/8"	30	9.1	300
DA300	3/8"	Without Hose			300
MA230	1/4"	1/4"	30	9.1	2000
MA330	3/8"	3/8"	30	9.1	2000
MA300	3/8"	Without Hose			3000
HA230	1/4"	1/4"	30	9.1	5000
HA200	1/4"	Without Hose			5000
HA325	3/8"	3/8"	25	7.62	4000
HA300	3/8"	Without Hose			4000

Model	Inlet hose fitting (NPT)	Hose Inner Diameter	Length		Pressure PSI
			feet	m	
DB350	3/8"	3/8"	50	15.2	300
DB430	1/2"	1/2"	30	9.1	300
DB450	1/2"	1/2"	50	15.2	300
DB400	1/2"	Without Hose			300
MB350	3/8"	3/8"	50	15.2	2000
MB430	1/2"	1/2"	30	9.1	2000
MB450	1/2"	1/2"	50	15.2	2000
MB400	1/2"	Without Hose			3000
HB250	1/4"	1/4"	30	9.1	5000
HB200	1/4"	Without Hose			5000
HB330	3/8"	3/8"	30	9.1	4000
HB350	3/8"	3/8"	50	15.2	4000
HB300	3/8"	Without Hose			4000

Hose Specs

Low Pressure (to 300 PSI)	Type: EPDM/SBR tube Red SBR cover Max Temp: 176° F (80°C)
Medium Pressure (to 3000 PSI)	Type: SAE 100 R1 TYPE AT Synthetic Rubber tube & cover Max Temp: 212° F (100°C)
High Pressure (to 5000 PSI)	Type: SAE 100 R2 TYPE AT Synthetic Rubber tube & cover Max Temp: 212° F (100°C)

Other hose types available, consult factory.

DC Series

Large capacity reels for general and industrial use. Ideal for production lines, material handling equipment, service areas, maintenance applications and service vehicles. Suitable for mounting up to 20' above floor level.

- Steel construction for long life in industrial applications
- Containerized main spring for safe, easy maintenance
- Adjustable guide arm
- Four roller guide to protect hose
- Brass, nickel and zinc fluid path
- Durable epoxy powder-coat finish
- Ratchet lock and easy tension adjustment
- Hose stop included with all models
- Nitrile seals

For dimensions, see page 20



DC

Notes: Spool hose connection fittings must be Female NPSM. Reels are primarily for manual pullout applications with lift height no more than 20ft. Otherwise, please call factory for application assistance.

Standard Model	Hose inlet fitting (NPT)	Hose Inner Diameter	Length		Pressure
			ft.	m	PSI
DC475	1/2"	1/2"	75	22.9	300
DC410	1/2"	1/2"	100	30.5	300
DC400	1/2"	Without Hose			300
DC660	3/4"	3/4"	60	18.3	300
DC600	3/4"	Without Hose			300
DC850	1"	1"	50	15.2	300
DC800	1"	Without Hose			300

Hose Specs

Type: EPDM/SBR tube
 Black SBR cover
Max Temp: 176° F (80°C)

D8800 Spring-Driven

All series D8800 hose reels are designed for both hydraulic and pneumatic applications.

- Aluminum construction for corrosion resistance and light weight
- Containerized mainspring for safe and simple maintenance
- Adjustable hose guide to pay out and retrieve hose from any direction
- Ratchet lock to stop hose at required length
- Anti lock-out design insures that ratchet will not engage when hose is fully extended
- Permanent lubrication for smooth operation
- Powder coat finish for appearance, corrosion resistance and durability
- For hose rated up to 700 PSI
- Nitrile seals

For dimensions, see page 21



Reels do not include hose.

D8800



Note: Reels are primarily for manual pullout applications with lift height no more than 17ft. Otherwise, please call factory for application assistance. For hose rated up to 700 PSI.

Model	Inlet Hose Fitting (NPT)	Hose Inner Diameter	Hose Capacity		Pressure PSI
			feet	m	
D8814	1/4"	1/4"	60	18.3	700
D8814	3/8"	3/8"	60	18.3	700
D8814	1/2"	1/2"	60	18.3	700
D8816	3/4"	3/4"	50	15.2	700
D8818	1"	1"	30	9.1	700
D8824	1/4"	1/4"	95	24.5	700
D8824	3/8"	3/8"	95	24.5	700
D8824	1/2"	1/2"	95	29.0	700

Reels do not include hose.

Enclosed Aero-Motive® Premium Industrial Grade

These all new premium reels are designed to withstand the toughest industrial challenges. The reels are designed to handle low-pressure hose (300 PSI).

- Durable steel construction
- Containerized mainspring for easy maintenance
- Brass and stainless steel fluid path
- Durable epoxy powder-coat finish
- Ratchet lock
- Anti-lockout ratchet design
- Nitrile seals

For dimensions, see page 21

Accessories on page 16.

PA(E)/PB(E)



Model	Inlet Hose Fitting (NPT)	Hose Inner Diameter	Length ft.	m	Pressure PSI
PAL230E	1/4"	1/4"	30	9.1	300
PAL330E	3/8"	3/8"	30	9.1	300
PBL350E	3/8"	3/8"	50	15.2	300
PBL435E	1/2"	1/2"	35	10.6	300
PBL450E	1/2"	1/2"	50	15.2	300

Stainless steel model available. See page 10.

Hose Specs

Type: PVC tube
 Black PVC cover
Max Temp: 176° F (80°C)

Enclosed VPR® Standard

Enclosed VPR® hose reels include a brass and stainless steel fluid path, durable steel finish, and ratchet lock. The reels are designed to handle low-pressure hose (300 PSI).

- Durable steel construction
- Containerized mainspring for easy maintenance
- Brass and stainless steel fluid path
- Durable epoxy powder-coat finish
- Ratchet lock

For dimensions, see page 22



EN

Model	Inlet Hose Fitting (NPT)	Hose Inner Diameter	Length ft. m	Pressure PSI
ENDA325	3/8"	3/8"	25 7.6	300
ENDB350	3/8"	3/8"	50 15.2	300
ENDB450	1/2"	1/2"	50 15.2	300

Hose Specs

Type: EPDM/SBR tube
Red SBR cover
Max Temp: 176° F (80°C)

Shop Reel

This plastic enclosed shop duty reel is designed for general shop use.

- Integrated wall/ceiling bracket
- Enclosure made of high-quality impact-resistant polypropylene
- Includes 36" lead-in hose
- Ratchet lock

For dimensions, see page 21



PL

Model	Inlet Hose Fitting (NPT)	Hose Inner Diameter	Length ft. m	Pressure PSI
PL450	1/2"	1/2"	50 15.2	300

Hose Specs

Type: PVC tube
Blue PVC cover
Max Temp: 176° F (80°C)

Stainless Steel Aero-Motive® Premium Industrial Grade

Designed for general and industrial use. Ideal for production lines, material handling equipment, service areas, maintenance applications and service vehicles.

- Steel construction for long life in industrial applications
- Containerized main spring for safe, easy maintenance
- Adjustable guide arm - 8 positions
- Six-roller guide to protect hose
- Brass and stainless steel fluid path
- Ratchet lock and easy tension adjustment
- Hose stop included with all models
- Nitrile seals

Accessories on pages 16

For dimensions, see page 19



PWS, PAS, PBS

Model	Inlet hose fitting (NPT)	Hose Inner Diameter	Capacity feet	m	Pressure PSI	Housing Material
PWL300S	3/8"	3/8"	25	7.6	300	Composite
PAL300S	3/8"	3/8"	30	9.1	300	Stainless Steel
PBL400S	1/2"	1/2"	50	15.2	300	Stainless Steel

Hose Specs

Type: PVC tube
Black PVC cover
Max Temp: 176° F (80°C)

Enclosed Stainless Steel Aero-Motive® Premium Industrial Grade

Enclosed hose reels include a stainless steel fluid path, durable steel finish, and ratchet lock. The reels are designed to handle low-pressure hose (300 PSI).

- Durable stainless steel construction
- Containerized mainspring for easy maintenance
- Brass and stainless steel fluid path
- Ratchet lock

For dimensions, see page 21



ES

Model	Inlet Hose Fitting (NPT)	Hose Inner Diameter	Length ft.	m	Pressure PSI
PAL200ES	1/4"	1/4"	w/o hose		300
PAL300ES	3/8"	3/8"	w/o hose		300
PBL450ES	1/2"	1/2"	50	15.2	300
PBL400ES	1/2"	1/2"	w/o hose		300

Hose Specs

Type: PVC tube
Black PVC cover
Max Temp: 176° F (80°C)

High Performance Specialty Stainless Steel

Meets the stringent hygienic requirements of European norm EN 1672-2.

Designed for use in food processing, chemical handling industries, also harsh environments, such as marine applications. Reels do not include hose. Suitable for mounting up to 17' above floor level.

- Stainless Steel construction
- Containerized main spring for safe, easy maintenance
- Four roller guide to protect hose
- Stainless steel fluid path
- Ratchet lock and easy tension adjustment
- Easy to clean and service
- Nitrile seals
- Hose stop included on all models

For dimensions, see page 22



SN

Model	Inlet hose fitting (NPT)	Hose Inner Diameter	Capacity feet m	Pressure PSI
SN400	1/2"	1/2"	75 22.8	300
SN600	3/4"	3/4"	50 15.2	300

Hose not included.

Designed with a minimum of joints and with all surfaces smooth and sloping (in accordance with European norm EN 1672-2). Regarded as a piece of food processing equipment, SN Series meets all known hygienic demands from the food processing industry.



VPR® Hand-Wind

Designed for general and industrial use. Ideal for production areas, maintenance and service areas, washdown equipment and service vehicles. Reels do not include hose.

- Heavy steel construction
- Corrosion resistant epoxy powder-coat finish
- Spring tension brake
- Brass swivel
- Simple mounting for floor, wall or work bench
- Nitrile seals

For dimensions, see page 23



Reels do not include hose.

CL & CH



Low Pressure (300 PSI)

Model	Inlet hose fitting (NPT)	Hose Inner Diameter	Hose Outer Diameter	Capacity	
				feet	m
CL102	1/4"	1/4"	5/8"	100	30.4
CL202	1/4"	1/4"	5/8"	200	60.8
CL103	3/8"	3/8"	3/4"	50	15.2
CL203	3/8"	3/8"	3/4"	100	30.4

High Pressure (3,000 PSI)

Model	Inlet hose fitting (NPT)	Hose Inner Diameter	Hose Outer Diameter	Capacity	
				feet	m
CH102	1/4"	1/4"	5/8"	100	30.4
CH202	1/4"	1/4"	5/8"	200	60.8
CH103	3/8"	3/8"	3/4"	50	15.2
CH203	3/8"	3/8"	3/4"	100	30.4
CH303	3/8"	3/8"	3/4"	350	106.4
CH304	1/2"	1/2"	7/8"	270	82.0

Maximum capacity dimensions listed.

VPR® Specialty Truck Mount

Rugged steel construction hose reel designed for applications subject to heavy use and shock loads. Ideal for vehicles such as service trucks.

- Double guide-arm support
- Steel construction for long life in industrial applications
- Containerized main spring for safe, easy maintenance
- Adjustable guide arm
- Four roller guide to protect hose
- Brass and stainless steel swivel
- Durable epoxy powder-coat finish
- Ratchet lock and easy tension adjustment
- Hose stops included for all models
- Nitrile seals



TL, TM, TH

Accessories on page 16

For dimensions, see page 22

Note: Hose attachment on reel drum requires female NPSM swivel fitting.

Hose Specs

Low Pressure (to 300 PSI)	Type: EPDM/SBR tube Red SBR cover Max Temp: 176° F (80°C)
Medium Pressure (to 3000 PSI)	Type: SAE 100 R1 TYPE AT Synthetic Rubber tube & cover Max Temp: 212°F (100°C)
High Pressure (to 5000 PSI)	Type: SAE 100 R2 TYPE AT Synthetic Rubber tube & cover Max Temp: 212°F (100°C)

Other hose types available, consult factory.

Model	Inlet hose fitting (NPT)	Hose Inner Diameter	Length		Pressure PSI
			feet	m	
TL330	3/8"	3/8"	30	9.1	300
TL350	3/8"	3/8"	50	15.2	300
TL430	1/2"	1/2"	30	9.1	300
TL450	1/2"	1/2"	50	15.2	300
TL400	1/2"	Without Hose			300
TM330	3/8"	3/8"	30	9.1	2000
TM350	3/8"	3/8"	50	15.2	2000
TM430	1/2"	1/2"	30	9.1	2000
TM450	1/2"	1/2"	50	15.2	2000
TM400	1/2"	Without Hose			3000
TH230	1/4"	1/4"	30	9.1	5000
TH250	1/4"	1/4"	50	5.2	5000
TH200	1/4"	Without Hose			5000
TH330	3/8"	3/8"	30	9.1	4000
TH350	3/8"	3/8"	50	5.2	4000
TH300	3/8"	Without Hose			4000

WB Series

Designed for general and industrial Oxygen/Acetylene welding. Ideal for production lines, material handling equipment, service areas, maintenance applications and service vehicles.

- Steel construction for long life in industrial applications
- Containerized main spring for safe, easy maintenance
- Adjustable guide arm for wall, ceiling, or truck mount
- Four roller guide to protect hoses
- UL listed (without hose) for oxygen/acetylene, mapp gas, propane, natural gas
- Forged brass fluid path with fluorocarbon seals
- Durable epoxy powder-coat finish
- Ratchet lock and easy tension adjustment
- Hose stop included with all models
- Lead-in hose included



For dimensions, see page 20

Hose Features:

- Rubber core, rubber cover
- 200 PSI working pressure
- -25°C (-13°F) to 70°C (158°F)
- Rated for oxygen/acetylene only
- Consult factory for other optional hose types

Model	Inlet Hose Fitting (NPT)	Hose Inner Diameter	Length		Pressure PSI
			feet	m	
WB230	1/4"	1/4"	30	9.1	200
WB250	1/4"	1/4"	50	15.2	200
WB265	1/4"	1/4"	65	19.8	200
WB200		Without Hose			200



Static Discharge Grounding

Eliminates static build-up. Spring-operated, automatic retrieve reels.

The 2050-Y Reel with a "Y" bridle allows two ground connections at the same time, providing maximum efficiency.

- Spring operated, automatic retrieve reel
- Stranded steel aircraft cable is 3/32".
- Standard models provide ratchet lock.
- CT models provide light, constant spring tension on the cable
- 100 ampere ground clamp
- Rubber cable stop



2050

For dimensions, see page 23

Catalog no.	Cable length		Net weight		Resistance ohms
	ft.	m	lbs.	Kg	
2050	50	15.24	12	5.44	2.0
2050-Y*	50	15.24	12	5.44	2.0
2050NC	50	15.24	12	5.44	2.0
2050CT	50	15.24	12	5.44	2.0
2050NCCT	50	15.24	12	5.44	2.0

"NC" = nylon coated cable 3/32"

"CT" = constant tension models.

*2050 Reel with "Y" Bridle (30 ft. payout then 20 ft. bridle for each branch, with clamps) allows simultaneous grounding at two points.

Accessories

HOSE ASSEMBLIES*

*Hose assemblies for all reels except DC & T series.

General Purpose Oil Resistant

Model	ID (inches)	Length (feet)	Max Pressure (PSI)	Tube Type	Cover Type
HOSL001	1/4"	30	300	EPDM/SBR	Red SBR
HOSL035	3/8"	25	300	EPDM/SBR	Red SBR
HOSL002	3/8"	30	300	EPDM/SBR	Red SBR
HOSL004	3/8"	50	300	EPDM/SBR	Red SBR
HOSL005	1/2"	30	300	EPDM/SBR	Red SBR
HOSL006	1/2"	50	300	EPDM/SBR	Red SBR

PVC

Model	ID (inches)	Length (feet)	Max Pressure (PSI)	Tube Type	Cover Type
HOSL047	1/4"	30	300	PVC	Black PVC
HOSL049	3/8"	25	300	PVC	Black PVC
HOSL050	3/8"	30	300	PVC	Black PVC
HOSL052	3/8"	50	300	PVC	Black PVC
HOSL054	1/2"	30	300	PVC	Black PVC
HOSL056	1/2"	50	300	PVC	Black PVC

Medium Pressure Oil Resistant

Model	ID (inches)	Length (feet)	Max Pressure (PSI)	Tube Type	Cover Type
HOSM020	1/4"	30	2750	Synthetic	Black Synthetic
HOSM011	3/8"	30	2250	Synthetic	Black Synthetic
HOSM059	3/8"	35	2250	Synthetic	Black Synthetic
HOSM012	3/8"	50	2250	Synthetic	Black Synthetic
HOSM060	1/2"	30	2000	Synthetic	Black Synthetic
HOSM024	1/2"	50	2000	Synthetic	Black Synthetic

High Pressure Oil Resistant

Model	ID (inches)	Length (feet)	Max Pressure (PSI)	Tube Type	Cover Type
HOSH015	1/4"	30	5000	Synthetic	Black Synthetic
HOSH016	1/4"	50	5000	Synthetic	Black Synthetic
HOSH061	3/8"	35	4000	Synthetic	Black Synthetic
HOSH018	3/8"	50	4000	Synthetic	Black Synthetic

HOSE STOP KIT

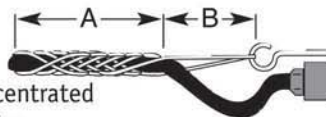
For use with standard hoses

Model	ID	Reel Type/Family
STPV006	1/4"	Std.
STPV007	3/8"	Std.
STPV008	1/2"	Std.
STPV044	1/4"	Stainless
STPV045	3/8"	Stainless
STPV046	1/2"	Stainless

SINGLE EYE HOSE GRIPS

Commonly referred to as "Chinese Fingers" or "Basket Grips."

Designed to relieve concentrated strain on hose termination.

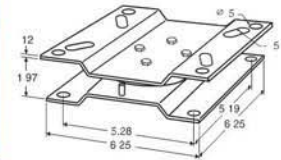


Model	Hose Diameter	Dim. A In.	Dim. B In.	Approx. Break Strength
36567	0.53 - 0.73"	6.5	165	7.0 178 1000 lbs.
36569	0.70 - 0.85"	7.25	184	7.0 178 1100
36574	0.96 - 1.25"	9.0	299	9.0 229 1500
35034	1.25 - 1.49"	15.0	381	15.0 381 2000

Snap hook (No. 01146P0015) must be ordered separately if desired.

PB201 PIVOT BASE

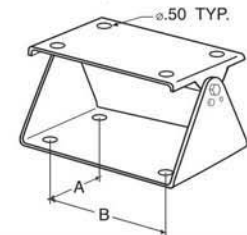
For use with hose reels when less than 330° rotation is required. Fits all D*, M*, H*, S*, PA* and PB* reels.



SWING MOUNT

The additional range of motion provided by the swing mount helps extend hose life and operation efficiency. Can be ceiling or wall mounted.

Model	Used with Reel Series	Dim. A in.	Dim. B in.	mm	mm
SB105	D*/M*/H*/S*/PA*/PB*	3.55	90.2	5.60	142.2
SB103	TL/TH/TB	3.55	90.2	5.60	142.2



SWIVELS

Model	ID	Max PSI	Reel Type/Family
SVLV025	1/4"	3000	DA2, MA2, PBL2, PBM2
SVLV024	3/8"	3000	DA3, MA3, PBL3, PBM3
SVLV035	3/8"	3000	DB3, MB3
SVLV036	1/2"	3000	DB4, MB4, PBL4, PBM4
SVLV037	1/4"	5000	HA2, HB2, PBH2
SVLV028	3/8"	5000	HA3, HB3, PBH3

RATCHET REPLACEMENT KIT

Model	Reel Type/Family
RTVCV010	AM Stainless, except PW
RTVCV008	AM, all PW
RTVCV002	VPR A size, Stainless
RTVCV005	VPR B size, Stainless

LEAD-IN HOSE (HOSE WHIPS)

Single hose - EPDM/SRB, max 300 PSI.
Welding hose - rubber core, rubber cover, max 200 PSI.

Model	Hose Inner diameter	Length ft.	mm	Description
5383800002	1/4"	4	1.2	Single hose
5382100029	3/8"	4	1.2	Single hose
5372600025	1/2"	4	1.2	Single hose
4437800414	3/4"	4	1.2	Single hose
4437800511	1"	4	1.2	Single hose
5503800000	1/4"	5	1.5	Dual welding reel

Chemical Compatibilities

Reels listed in this catalog are based on general purpose hose with synthetic rubber inner tube, oil-resistant synthetic rubber outer jacket, for use with air, water, fuels, oils and gasoline. For materials not listed in the chart below, or listed as incompatible, consult factory.

Rating Codes X - Unacceptable, or not rated 1 - Suitable if in constant contact 2 - OK if only intermittent contact	Low Pressure SBR Hose DA, DB, SA, SB, TL, CL, DC, POL, PAL, PBL			Med. & High Pressure MA, MB, HA, HB, TM, TH, CH	
	SBR Hose	PVC Hose	Swivel	w/ Hose	Swivel
Acetic Acid	X	X	X	X	
Acetone	X	X	X	X	X
Air (less than 212° F)	1	1	1	1	1
Alkaline Solutions	X	X	X	X	X
Alcohol, Butyl	1	X	1	1	1
Alcohol, Methyl	1	X	1	1	1
Alcohol, Propyl	1	1	1	1	1
Ammonia Gas	X	X	1	X	1
Ammonia Anhydrous (Gas or Liquid)	X	X	X	X	X
Ammonium Phosphate Solutions	X	X	X	X	X
Aniline Dyes	X	X	X	X	X
Aniline Oils	X	X	X	X	X
Asphalt	X	X	X	X	X
Benzene (Benzol)	X	X	X	X	X
Gasoline (Benzine)	X	X	1	2	1
Brake Fluid Glycol Base	X	1	X	X	X
Bromine	X	X	X	X	X
Butylene	X	X	X	X	X
Calcium Hypochlorite Solution	X	1	X	X	X
Calcium Salts	X	1	1	X	1
Calcium Hydroxide 10%	X	1	1	1	1
Cabolic Acid (Phenol)	X	X	X	X	X
Carbon Dioxide (Dry)	1	1	1	1	1
Carbon Disulfide	X	X	X	X	X
Carbon Tetrachloride	X	X	X	X	X
Castor Oil	X	1	1	X	1
Anti-Freeze (Ethylene Glycol)	X	1	1	1	1
Dexron Transmission Fluid Type A (GM), 1, 2, 3	X	1	1	1	1
Diesel Fuel	X	X	1	1	1
Di-ester Lubricant (Requires Viton seals and PVC hose)	X	X	X	X	X
Ethers	X	X	X	X	X
Ethyl Chloride	X	X	1	X	1
Formaldehyde	X	X	X	X	X
Fuel Oil ASTM 1 & 2	X	X	1	1	1
Gasoline	X	X	1	2	1
Glycerin (Glycerol)	1	1	1	1	1
Heavy Water	1	1	1	1	1

Rating Codes X - Unacceptable, or not rated 1 - Suitable if in constant contact 2 - OK if only intermittent contact	Low Pressure SBR Hose DA, DB, SA, SB, TL, CL, DC, POL, PAL, PBL			Med. & High Pressure MA, MB, HA, HB, TM, TH, CH	
	SBR Hose	PVC Hose	Swivel	w/ Hose	Swivel
Heptane	X	X	1	1	1
Hydraulic Fluid (Petroleum Base)	X	1	1	1	1
Hydraulic Fluid (Phosphate Ester Base)	X	X	X	X	X
Hydraulic Fluid (Water-Glycol Base)	2	1	1	1	1
Hydrochloric Acid	X	1	X	X	X
Hydrogen	X	X	X	X	X
Hydrogen Peroxide (30% or less)	X	1	X	X	X
Kerosene	X	X	1	X	1
Ketones	X	X	X	X	X
Lacquers & Solvents	X	X	X	X	X
Linseed Oil	X	1	1	X	1
Lubricating Oils (Petroleum Base)	X	1	1	X	1
Lubricating Oils (Di-ester Base)	X	X	X	X	X
Manganese Sulfate Solution	X	1	X	X	X
Mineral Oil	X	X	1	1	1
Naphtha	X	X	X	X	X
Nitrogen	1	1	1	1	1
Oleic Acid	X	1	X	X	X
Ozone	X	X	X	X	X
Petroleum Oils (Refined)	X	1	1	1	1
Petroleum Oils (Sour)	X	1	1	1	1
Phenol	X	X	X	X	X
Soapy Solutions	1	1	1	1	1
Stoddard Solvent	X	X	1	2	1
Sulfur Dioxide Liquid	X	1	X	X	X
Toluene	X	X	X	X	X
Transmission Fluid (Petroleum)	X	1	1	1	1
Turpentine	X	X	1	2	1
Water (Brine)	1	1	1	2	1
Water (Deionized)	X	X	X	X	X
Water (Distilled)	1	1	1	1	1
Water above 176° F	X	X	X	X	X
Water below 176° F	1	1	1	1	1
Xylene	X	X	X	X	X

General Notes

All tests made at room temperature unless otherwise stated.
 Viscosity of fluid may affect reel performance based on flow requirements.
 All VPR® reels (except welding reels, EPR) use Nitrile seals.
 Some applications may require independent approval of reels for certain applications. Reels do not have these approvals unless otherwise stated in the catalog.

Hose Characteristics

FRICION OF AIR IN HOSE

This table may be used to determine the pressure loss in hose connected to pneumatic tools. It is correct for hose with smooth inside lining. Hose with rough lining may have friction loss as much as 50% greater than the figures given below.

Size Of Hose	Gage Pressure at Line(PSI)	Cubic Feet Free Air per minute passing through 50 ft. lengths of Hose													
		20	30	40	50	60	70	80	90	100	110	120	130	140	150
		Loss of Pressure in lbs./sq. in. (Hose length 50 ft.)													
0.500" with coupling at each end	50	1.8	5.0	10.1	18.1	-	-	-	-	-	-	-	-	-	-
	60	1.3	4.0	8.4	14.8	23.4	-	-	-	-	-	-	-	-	-
	70	1.0	3.4	7.0	12.4	20.0	28.4	-	-	-	-	-	-	-	-
	80	.9	2.8	6.0	10.8	17.4	25.2	34.6	-	-	-	-	-	-	-
	90	.8	2.4	5.4	9.5	14.8	22.0	30.5	41.0	-	-	-	-	-	-
	100	.7	2.3	4.8	8.4	13.3	19.3	27.2	36.6	-	-	-	-	-	-
0.750" with coupling at each end	50	.4	.8	1.5	2.4	3.5	4.4	6.5	8.5	11.4	14.2	-	-	-	-
	60	.3	.6	1.2	1.9	2.8	3.8	5.2	6.8	8.6	11.2	-	-	-	-
	70	.2	.5	.9	1.5	2.3	3.2	4.2	5.5	7.0	8.8	11.0	-	-	-
	80	.2	.4	.8	1.3	1.9	2.8	3.6	4.7	5.8	7.2	8.8	10.6	-	-
	90	.2	.4	.7	1.1	1.6	2.3	3.1	4.0	5.0	6.2	7.5	9.0	-	-
	100	.2	.4	.6	1.0	1.4	2.0	2.7	3.5	4.4	5.4	6.6	7.9	9.4	11.1
1.000" with coupling at each end	50	.1	.2	.3	.5	.8	1.1	1.5	2.0	2.6	3.5	4.8	7.0	-	-
	60	.1	.2	.3	.4	.6	.8	1.2	1.5	2.0	2.6	3.3	4.2	5.5	7.2
	70	-	.1	.2	.4	.5	.7	1.0	1.3	1.6	2.0	2.5	3.1	3.8	4.7
	80	-	.1	.2	.3	.5	.7	.8	1.1	1.4	1.7	2.0	2.4	2.7	3.5
	90	-	.1	.2	.3	.4	.6	.7	.9	1.2	1.4	1.7	2.0	2.4	2.8
	100	-	.1	.2	.2	.4	.5	.6	.8	1.0	1.2	1.5	1.8	2.1	2.4
110	-	.1	.1	.2	.3	.4	.6	.7	.9	1.1	1.3	1.5	1.8	2.1	

For longer or shorter lengths of hose the friction loss is proportional to the length: i.e., for 25 ft., 1/2 of the above; for 150 ft., 3 times above, etc.

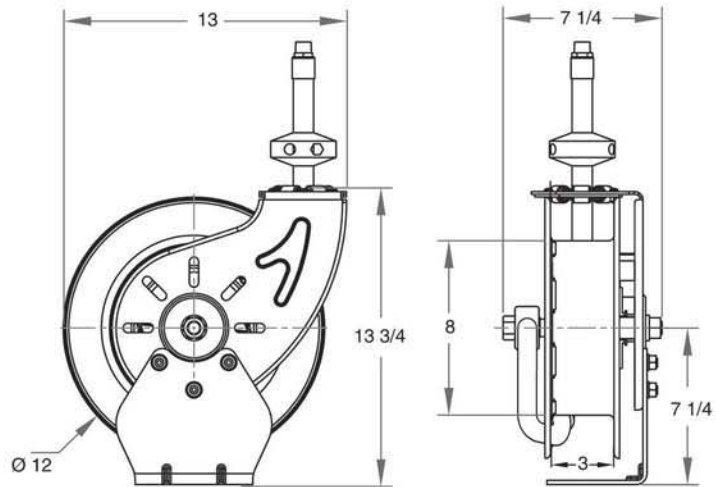
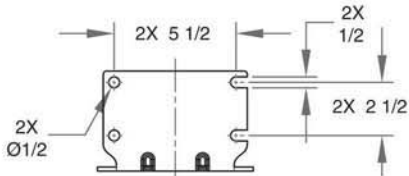
FLOW CHART

The Flow Chart takes into account the loss in pressure due to friction. Capacities will be reduced 2% to 5% with amount of bending and type of coupling used. For heavier or slower flowing liquids, capacity will vary in proportion.

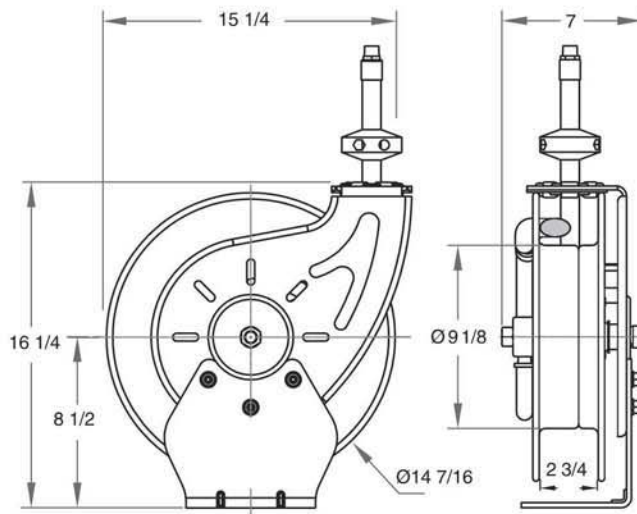
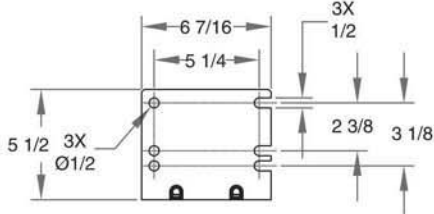
Gals. per Min.	PER 100 FEET OF HOSE		
	Inside Diameter		
	0.500"	0.750"	1.000"
	Intake Pressure-Pounds-Water-Square Inch		
5	27	5	-
10	98	15	4
15	210	32	10
20	-	32	10
25	-	78	24
30	-	115	33
40	-	195	51
50	-	-	77
60	-	-	104
70	-	-	130



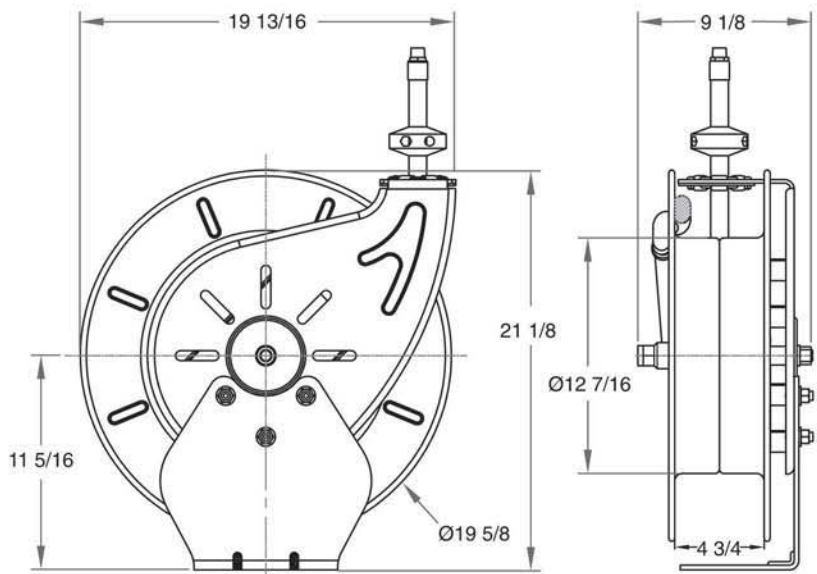
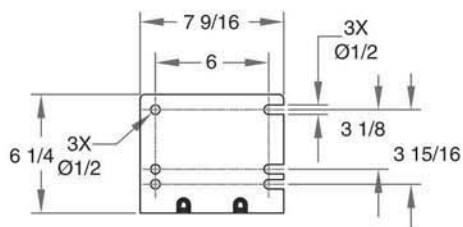
PW Reel
(page 4 & 10)



PA Reel
(page 4 & 10)

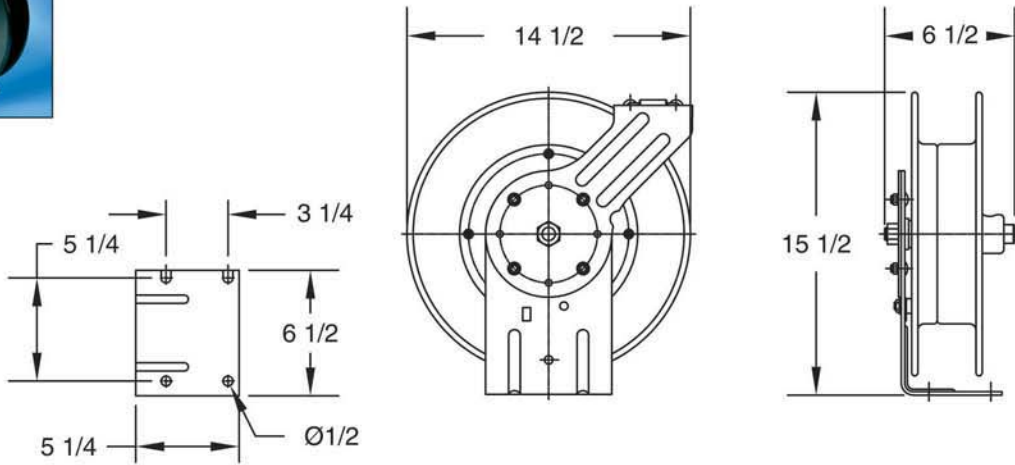


PB Reel
(page 4 & 10)

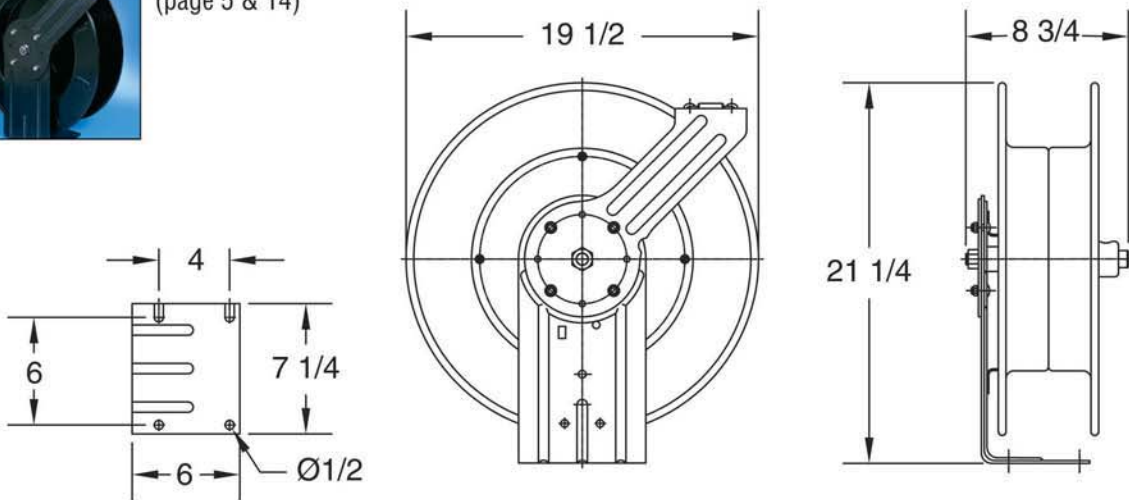




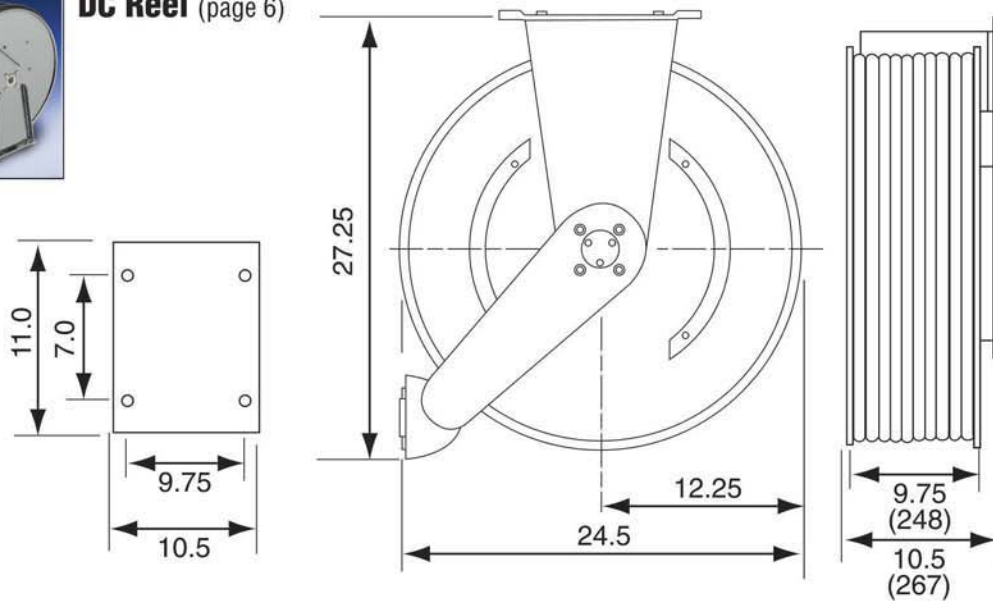
DA Reel
(page 5)



DB/ WB Reel
(page 5 & 14)

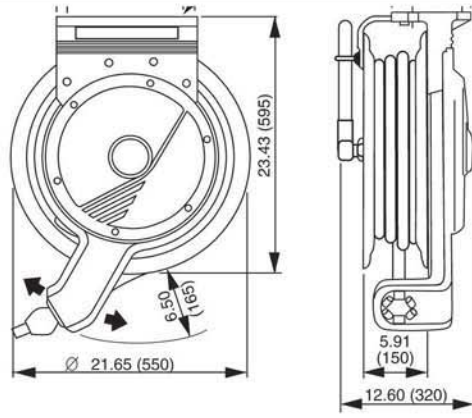
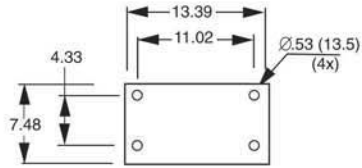


DC Reel (page 6)

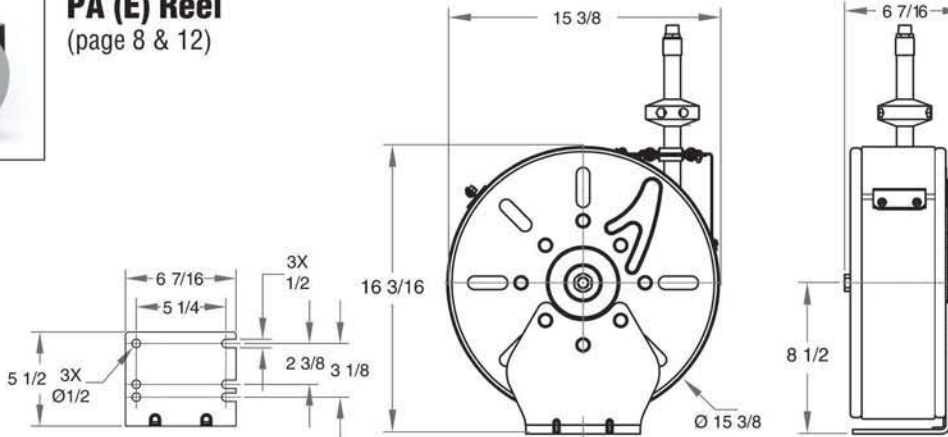




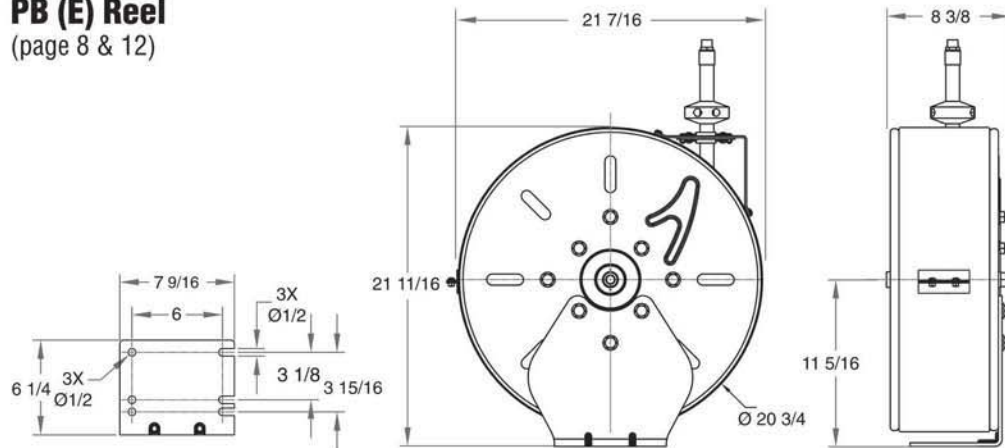
8800 Reel
(page 7)



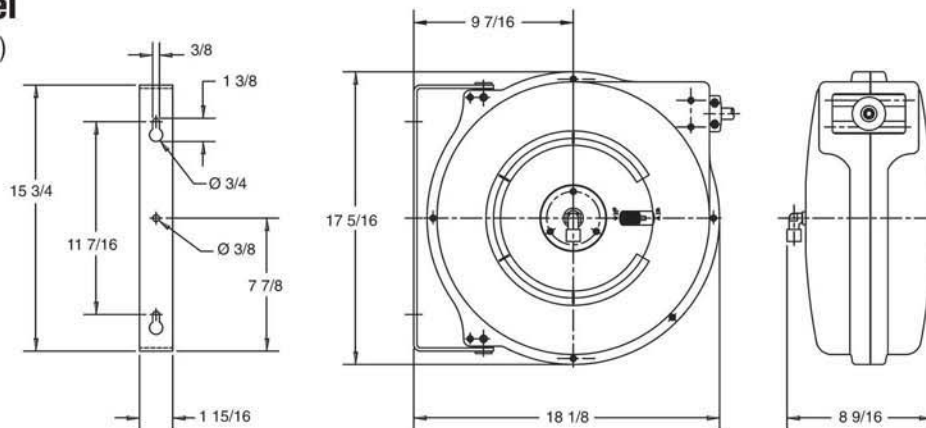
PA (E) Reel
(page 8 & 12)



PB (E) Reel
(page 8 & 12)

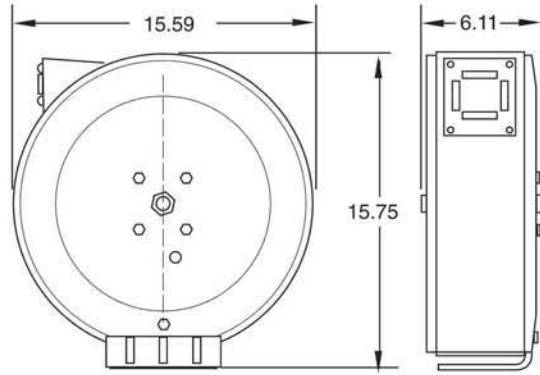
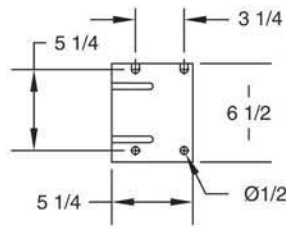


PL Reel
(page 9)

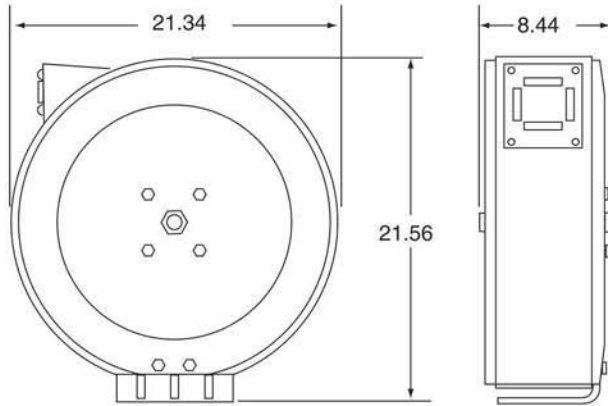
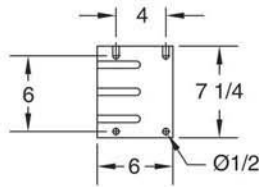




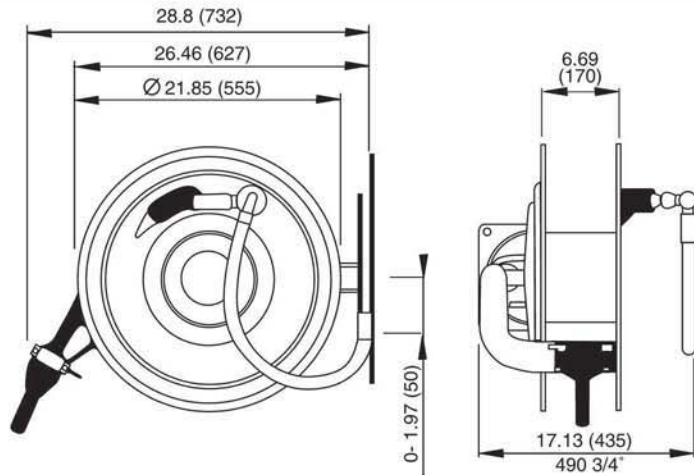
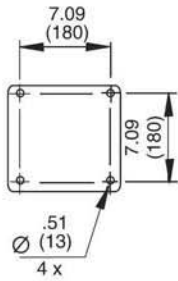
ENDA Reel
(page 9)



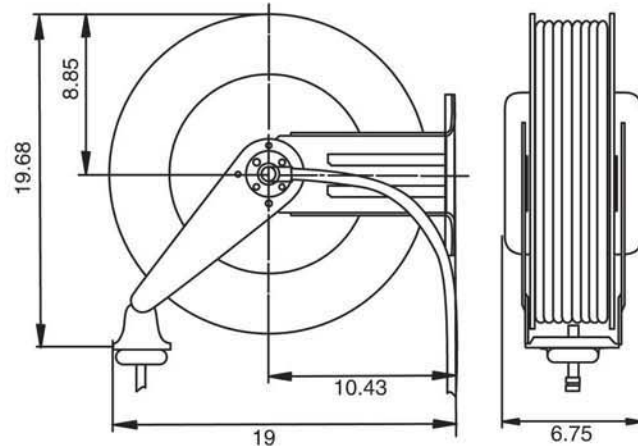
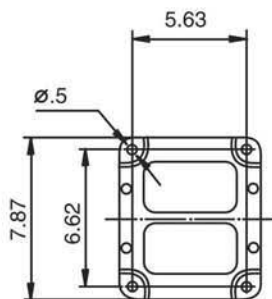
ENDB Reel
(page 9)



SN Reel
(page 11)



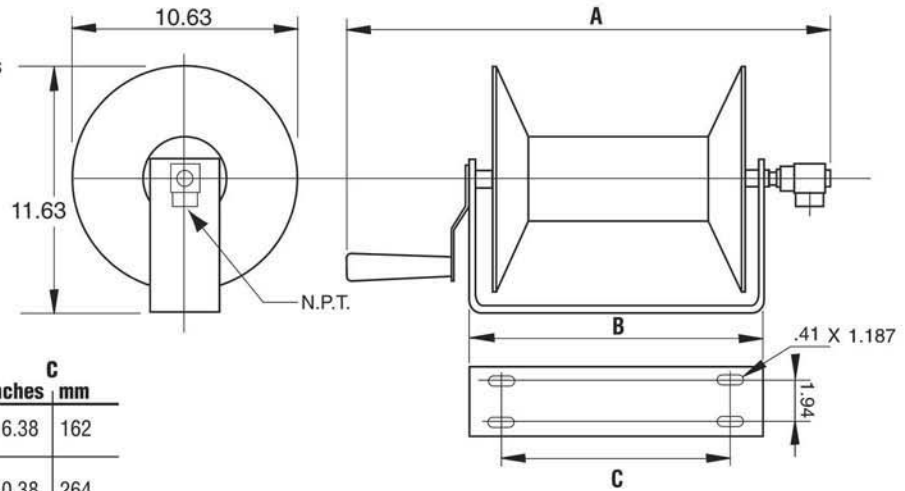
TL/TM/TH Reels
(page 13)





Hand Wind Reels CL, CH

Dimensions:
100 & 200 Models
(page 12)

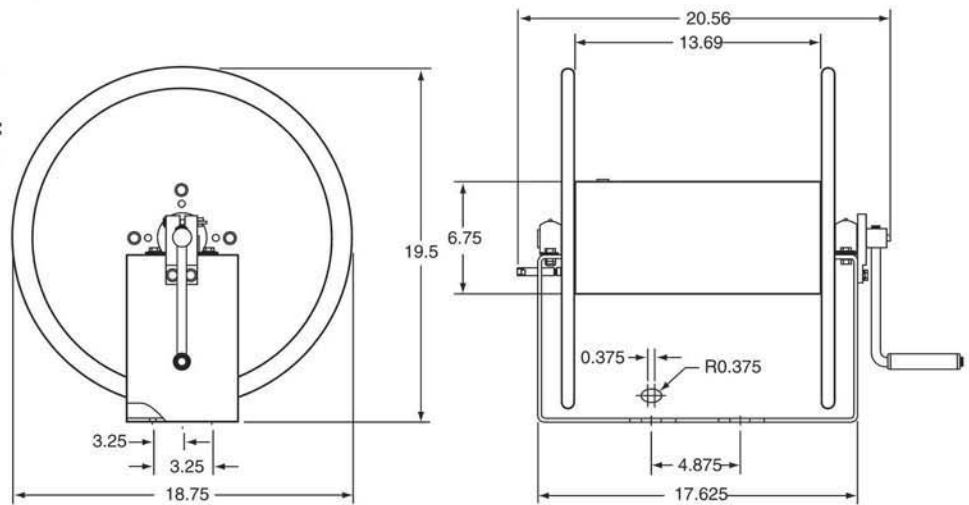


Model	A		B		C	
	inches	mm	inches	mm	inches	mm
100 Models	18.75	476	9.31	236	6.38	162
200 Models	22.75	578	13.87	352	10.38	264



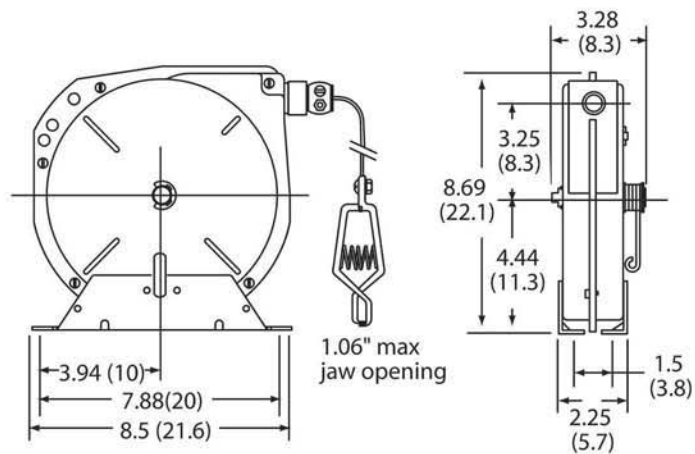
Hand Wind Reels CH303, CH304

Dimensions:
300 Models
(page 12)



Static Discharge Grounding Reel

(page 15)



Tool Balancers...



- Positioners
- Retractors
- Balancers



Portable Lighting...



- Wide Area Lamps
- Handlamps
- Temporary Lighting



Cable Grips...



- Strain Relief Grips
- Support Grips
- Pulling Grips



Reels...



- Cord Reels
- Cable Reels
- Hose Reels



Wiring Devices...



- Rubber Devices
- Nylon Devices
- Pin and Sleeve Devices



Pendant Stations...



- Pushbuttons
- Test Instruments
- Electrical Specialties



Portable Power...



- GFCI
- Multiple Outlet Boxes
- Multi-Taps



Mobile Electrification Systems...



- Conductor Bar
- Festoon Systems



United States/Mexico
Woodhead L.P.
3411 Woodhead Drive
Northbrook, IL 60062
800-999-8559
FAX: 800-333-6119
www.aeromotive.com

Canada
Woodhead Canada Limited
1090 Brevik Place
Mississauga, Ontario L4W 3Y5
905-624-6518
FAX: 905-624-9151
www.woodhead.ca

Europe
Woodhead Connectivity Ltd.
Factory No. 9
Rassau Industrial Estate
Ebbw Vale, Gwent, Wales
United Kingdom NP23 5SD
011-44-1495-350436
FAX: 011-44-1495-350877
sales@wdhd.co.uk

Asia
Woodhead Asia Pte. Ltd.
No. 4 Toh Tuck Link
Level 3, Mezzanine
Markono Logistics Bldg.
Singapore 596 226
65-62-261-6533
FAX: 65-62-261-3588
sales@wasia.com.sg

Japan
Woodhead Japan Corp.
3G Kawashima No. 5 Bldg.
29-16 Imaike-Minami
Chikusa-ku
Nagoya 464-0851 Japan
011-81-52-745-7621