

4P & 5P



Field-Attachable Connectors

Single Keyway M12

Screw terminal connection accepts up to #18 AWG conductors
 Easy field installation of quick-disconnect design
 For use with all standard single keyway M12 receptacles and cordsets

	4P	5P
FEMALE FACE VIEW		
MALE FACE VIEW		
VOLTAGE	250V AC / 300V DC	30V AC / 36V DC
CURRENT	4A	4A

FEMALE	FIG	CATALOG NUMBER WITH PG 7 CABLE FITTING (.13 - .26" OD [3.3 - 6.6MM] CABLE)	
STRAIGHT	1	8A4000-31	8A5000-31
90°	2	8A4001-31	8A5001-31
FEMALE	FIG	CATALOG NUMBER WITH PG 9 CABLE FITTING (.16 - .32" OD [4.1 - 8.1MM] CABLE)	
STRAIGHT	1	8A4000-32	8A5000-32
MATING RECEPTACLE*	3	8R4006A18A120	8R5006A18A120
MALE	FIG	CATALOG NUMBER WITH PG 7 CABLE FITTING (.13 - .26" OD [3.3 - 6.6MM] CABLE)	
STRAIGHT	4	8A4006-31	8A5006-31
90°	5	8A4007-31	8A5007-31
MALE	FIG	CATALOG NUMBER WITH PG 9 CABLE FITTING (.16 - .32" OD [4.1 - 8.1MM] CABLE)	
STRAIGHT	4	8A4006-32	8A5006-32
MATING RECEPTACLE*	6	8R4A00A18A120	8R5A00A18A120

*See Page 116 for additional Mating Receptacles

Specifications



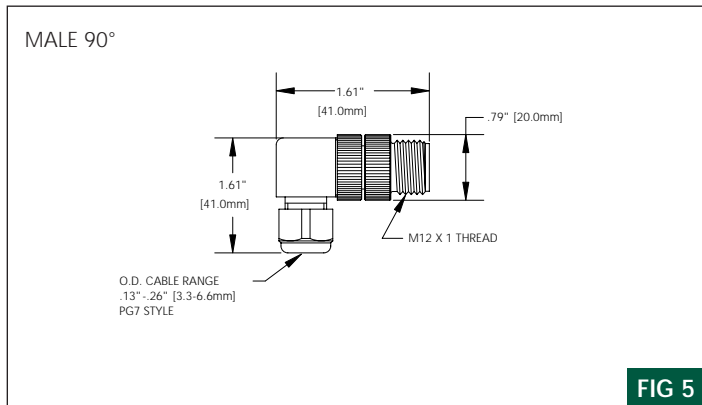
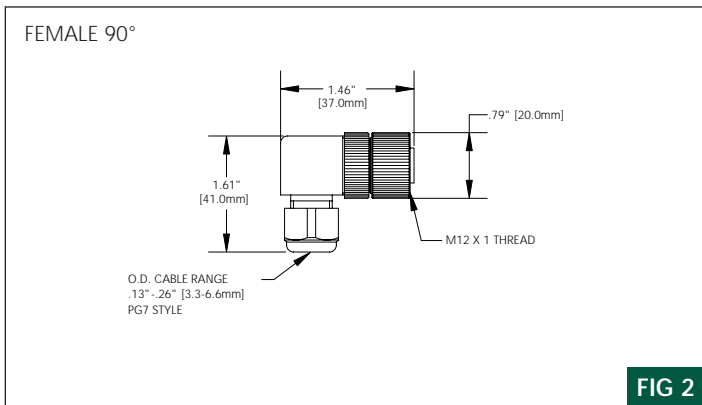
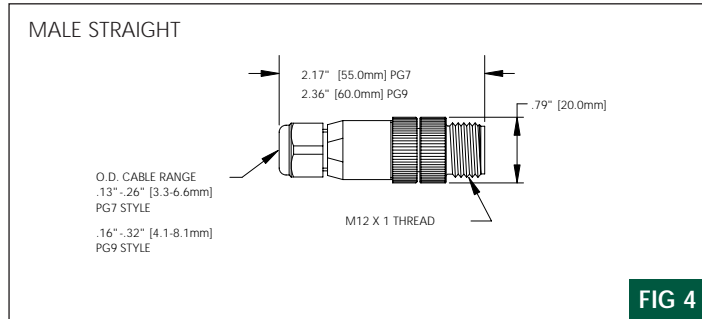
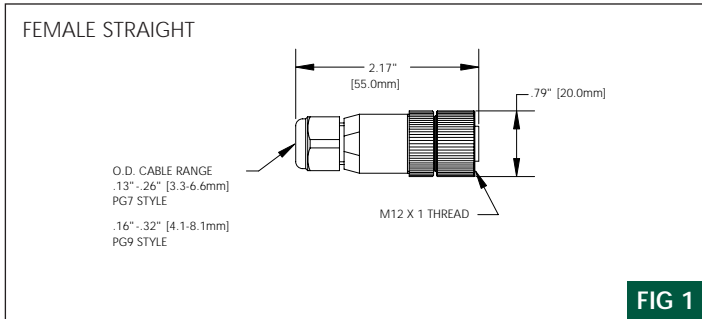
MECHANICAL
 CONNECTOR FACE: POLYAMIDE
 MOLDED BODY: POLYAMIDE
 CONTACT: SILVER PLATED BRASS
 COUPLING NUT: NICKEL PLATED BRASS
 GROMMET: NITRILE RUBBER
 MAXIMUM CONDUCTOR SIZE: 18 AWG

ELECTRICAL
 VOLTAGE RATING: 4P - 250V AC 300V DC
 5P - 30V AC 36V DC
 AMPERAGE: 4P - 4A
 5P - 4A

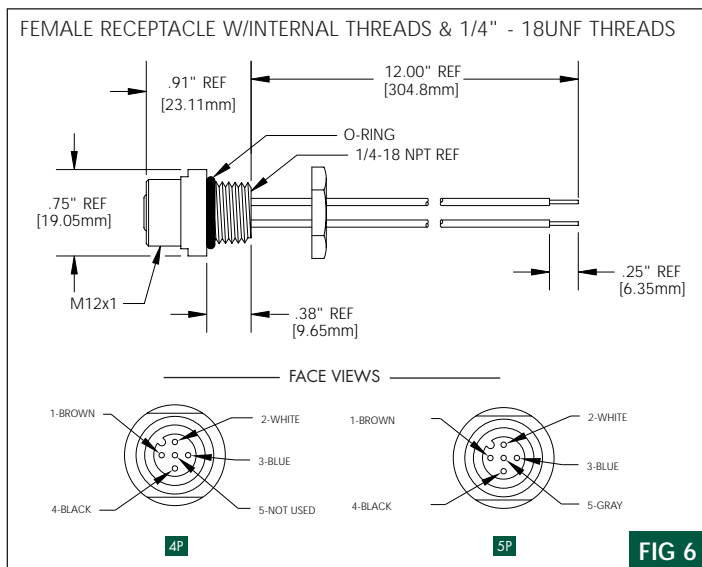
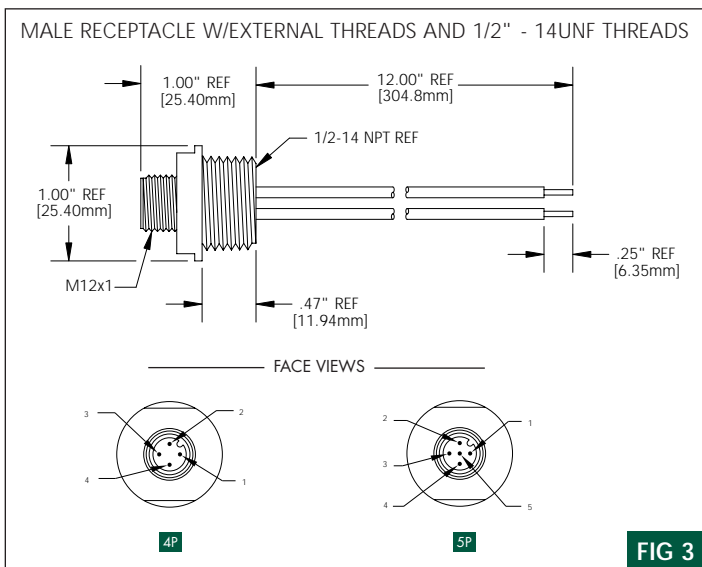
ENVIRONMENTAL
 PROTECTION: IP 68
 AMBIENT OPERATING TEMP: -13° TO 194° F (-25° TO 90° C)

CERTIFICATIONS
 CSA: CSA CERTIFIED, FILE NO LR6837

CONNECTOR DIMENSIONS



RECEPTACLE DIMENSIONS



4P



Field Attachable Connectors

Single Keyway M12

Solder connection accepts #22 AWG conductors maximum
 Secure termination for high vibration applications
 For use with all standard single keyway M12 receptacles & cordsets

	4P
MALE FACE VIEW	
VOLTAGE	250V AC/125V DC
CURRENT	3A

MALE	FIG	O.D CABLE RANGE	FIELD-ATTACHABLE CONNECTORS WITH SOLDER TERMINATIONS
STRAIGHT	1	.12-.15" /3-4mm	F04MA03123
		.15-.20" /4-5mm	F04MA03124
		.20-.24" /5-6mm	F04MA03126
MATING RECEPTACLE*	2		8R4A00A18A120

ACCESSORIES	
EXTRACTION TOOL – REQUIRED FOR DISASSEMBLY	F04A29

*See Page 116 for additional Mating Receptacles

Specifications



MECHANICAL	
CONNECTOR FACE:	NYLON 6/6
MOLDED BODY:	NYLON 6/6
CONTACT:	GOLD PLATED BRASS
COUPLING NUT:	ALUMINUM
GROMMET:	NITRILE RUBBER
MAXIMUM CONDUCTOR SIZE:	#22 AWG
ELECTRICAL	
VOLTAGE RATING:	250V AC / 125V DC
AMPERAGE:	4P - 3A
ENVIRONMENTAL	
PROTECTION:	IP 67, NEMA 6
AMBIENT OPERATING TEMP:	-40° TO 185° F (-40° TO 85°C)
CERTIFICATIONS	
UL:	UL LISTED, FILE NO. E103202
CSA:	CSA CERTIFIED, FILE NO LR62678

CONNECTOR DIMENSIONS

MALE STRAIGHT

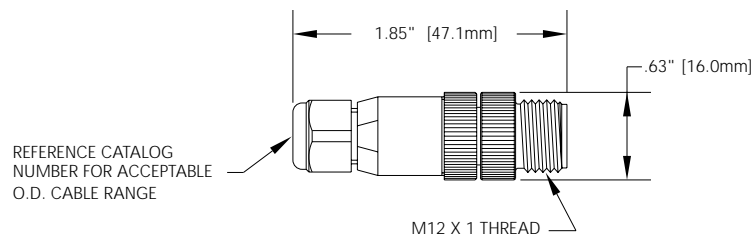


FIG 1

RECEPTACLE DIMENSIONS

FEMALE RECEPTACLE W/INTERNAL THREADS & 1/4" - 18UNF THREADS

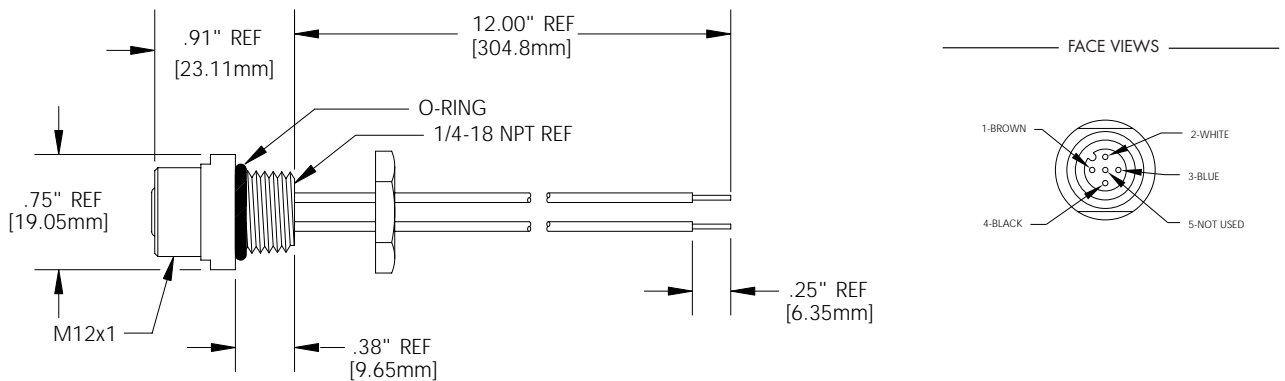


FIG 2